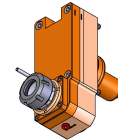
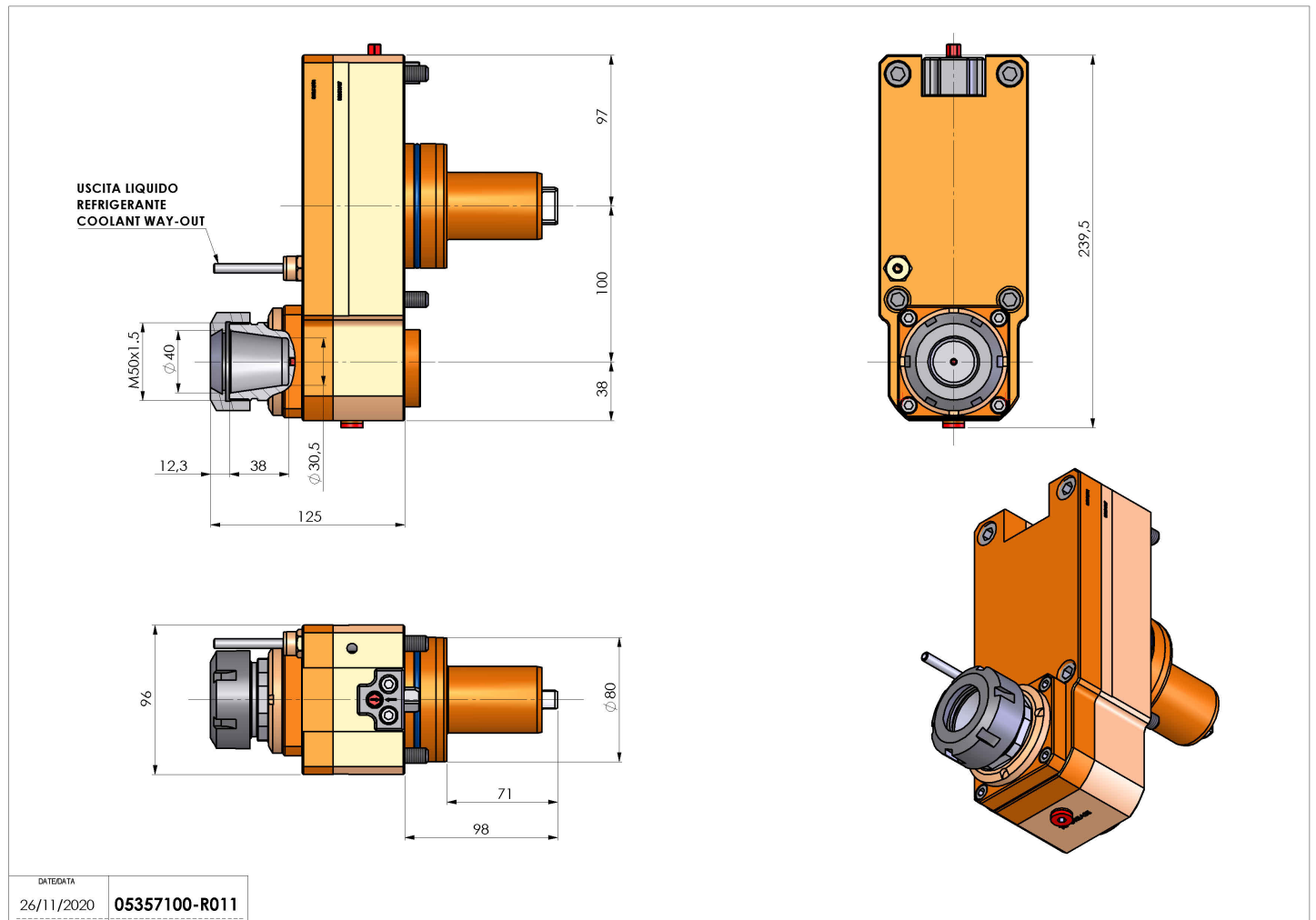


05357100 - LT-S D80 ER40 OFS100 HS H125

Type	LT-S OFS Tool holder straight offset
Mounting	CYLINDRICAL SHANK 80
Tool output	Collet nut ER 40
Coolant	External coolant
Offset [mm]	100
Direction of rotation	r1 r2
Max speed [rpm]	10000
Max torque [Nm]	80
Ratio	1:1
H [mm]	125
Accessories	N.A.
Notes	N.A.
Mounting tips	N.A.



Always check live tool dimensions on the turret



DATE/DATE	26/11/2020
PART NUMBER	05357100-R011

Subject to technical changes