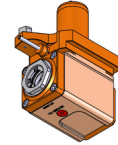


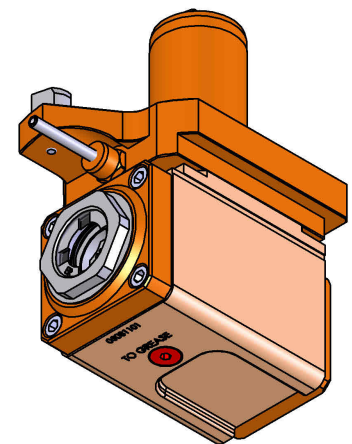
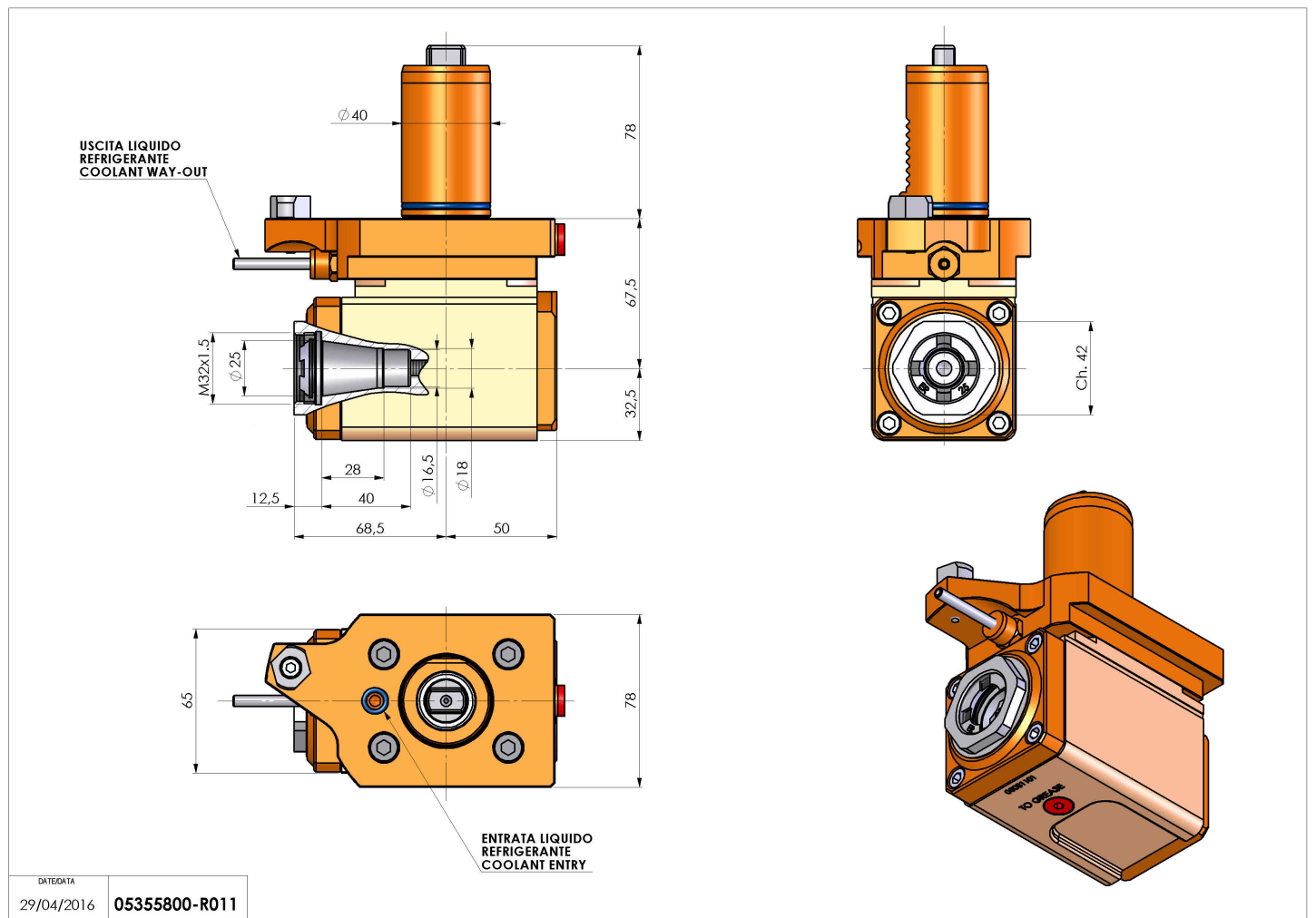
05355800 - LT-A VDI40 ER25F L H67.5 MZ

| | |
|-----------------------|-----------------------------------|
| Type | LT SPECIALE Custom tool holder |
| Mounting | VDI 40 |
| Tool output | Collet nut ER 25 F - internal nut |
| Coolant | External coolant |
| Direction of rotation | r1 ↻ r2 ↻ |
| Max speed [rpm] | 6000 |
| Max torque [Nm] | 63 |
| Ratio | 1:1 |
| H [mm] | 67,5 |
| H1 [mm] | 32,5 |
| Accessories | N.A. |
| Notes | N.A. |
| Mounting tips | N.A. |



ATTENTION: CHECK THE ORIENTATION OF THE VDI TEETH

Always check live tool dimensions on the turret



Subject to technical changes

| | |
|------------|---------------|
| DATE/DATE | 05355800-R011 |
| 29/04/2016 | |