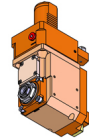


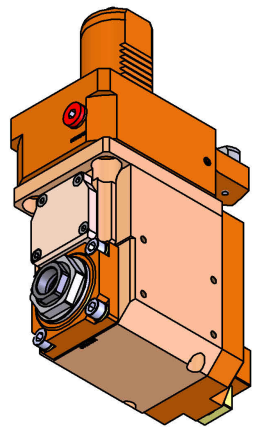
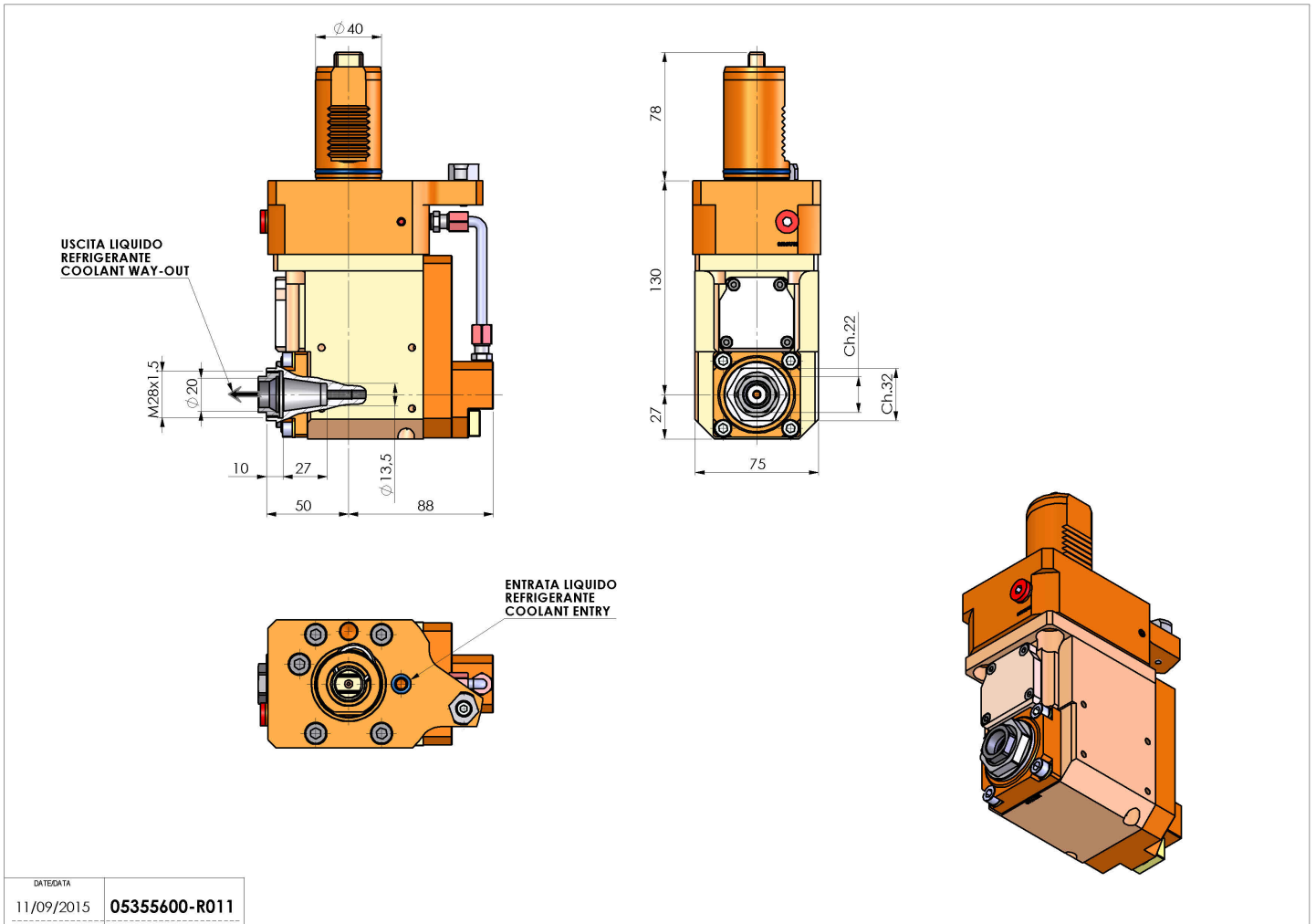
# 05355600 - LT-A VDI40 ER20F HRF H130 1:2 MZ

<b>Type</b>	LT-A Tool holder angle 90°
<b>Mounting</b>	VDI 40
<b>Tool output</b>	Collet nut ER 20 F - internal nut
<b>Coolant</b>	HRF Internal coolant
<b>Direction of rotation</b>	r1  r2
<b>Max speed [rpm]</b>	in 5000 / out 10000
<b>Max torque [Nm]</b>	in 50 / out 25
<b>Ratio</b>	1:2
<b>H [mm]</b>	130
<b>H1 [mm]</b>	27
<b>Max pressure [bar]</b>	80
<b>Accessories</b>	N.A.
<b>Notes</b>	N.A.
<b>Mounting tips</b>	N.A.



**ATTENTION: CHECK THE ORIENTATION OF THE VDI TEETH**

Always check live tool dimensions on the turret



DATE/GATA	11/09/2015
PART NUMBER	05355600-R011

Subject to technical changes