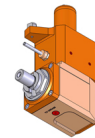


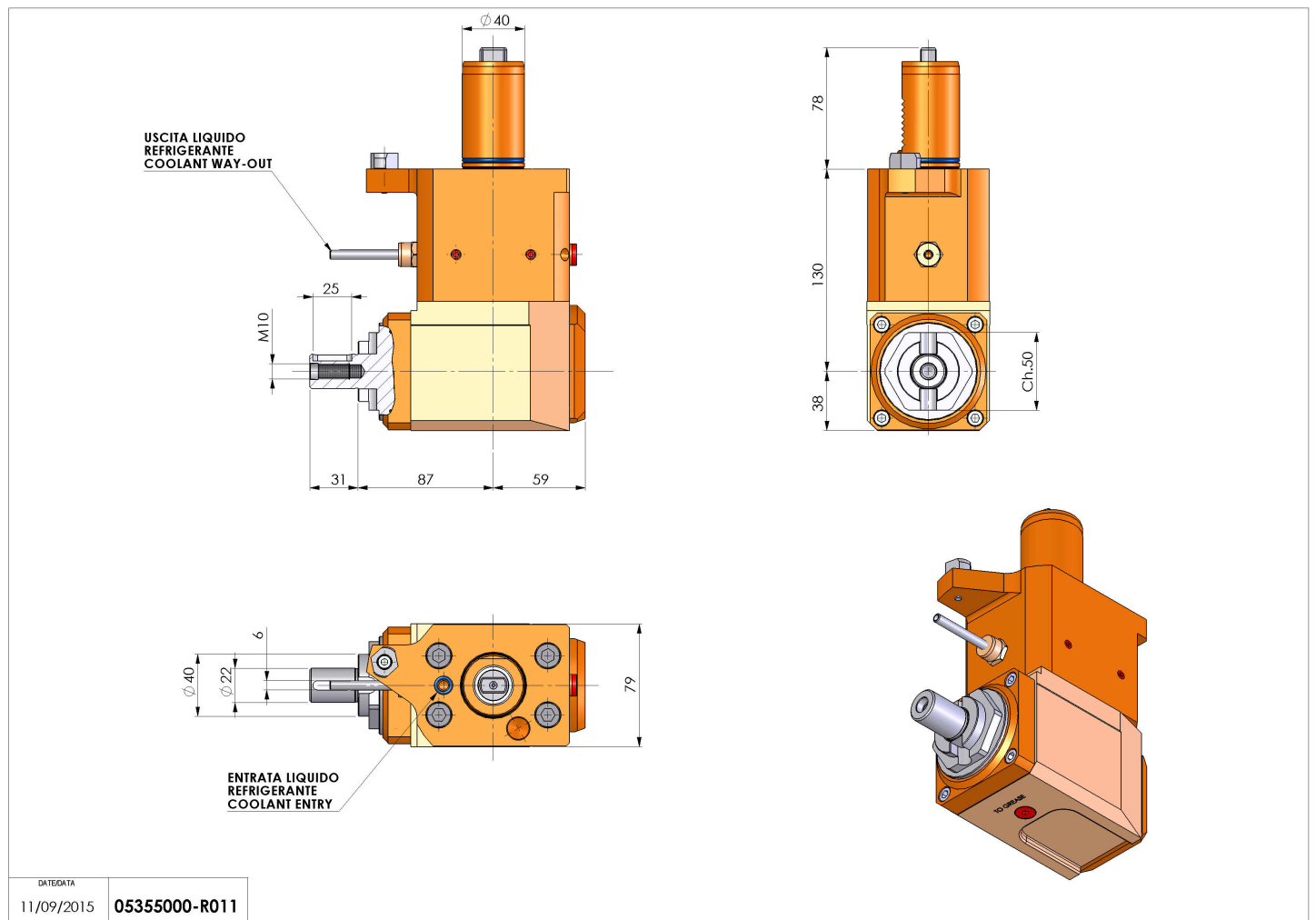
05355000 - LT-A VDI40 DIN138-22 H130 MZ

| | |
|-----------------------|-------------------------------|
| Type | LT-A Tool holder angle 90° |
| Mounting | VDI 40 |
| Tool output | Shell-Mill DIN138 22 |
| Coolant | External coolant |
| Direction of rotation | r1 ↻ r2 ↻ |
| Max speed [rpm] | 6000 |
| Max torque [Nm] | 63 |
| Ratio | 1:1 |
| H [mm] | 130 |
| H1 [mm] | 38 |
| Accessories | N.A. |
| Notes | N.A. |
| Mounting tips | N.A. |



ATTENTION: CHECK THE ORIENTATION OF THE VDI TEETH

Always check live tool dimensions on the turret



| | |
|-----------|---------------|
| DATE/DATE | 05355000-R011 |
|-----------|---------------|

Subject to technical changes