

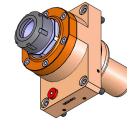
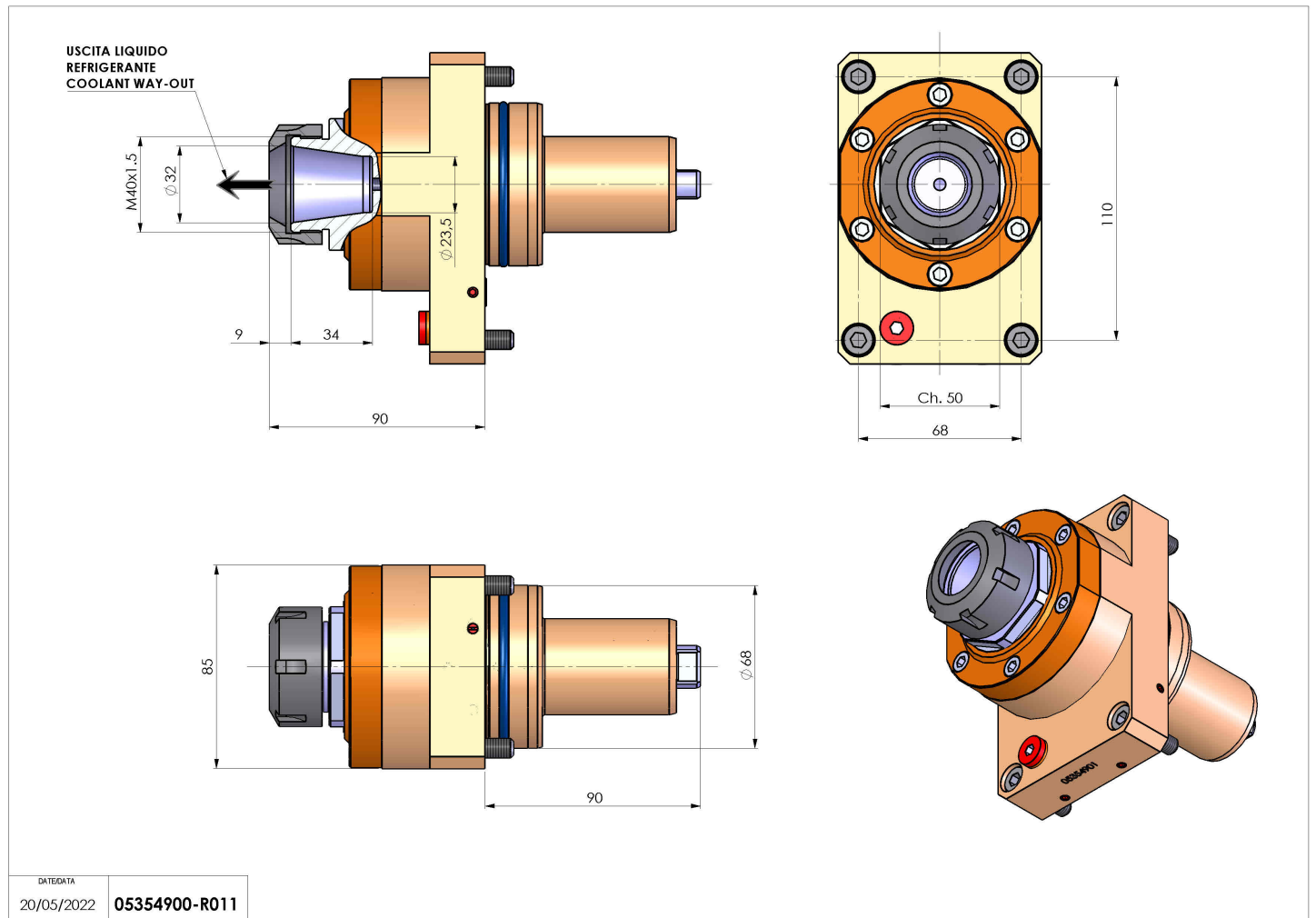


05354900 - LT-S D68 ER32 HRF HS H90

| | |
|------------------------------|---------------------------------------------------------------------------------------------------------------------------------------------------------------------------|
| Type | LT-S Tool holder straight |
| Mounting | CYLINDRICAL SHANK 68 |
| Tool output | Collet nut ER 32 |
| Coolant | HRF Internal coolant |
| Direction of rotation | r1  r2  |
| Max speed [rpm] | 10000 |
| Max torque [Nm] | 63 |
| Ratio | 1:1 |
| H [mm] | 90 |
| Max pressure [bar] | 70 |
| Accessories | N.A. |
| Notes | N.A. |
| Mounting tips | N.A. |



Always check live tool dimensions on the turret



DATE/DATA
20/05/2022 05354900-R011

Subject to technical changes