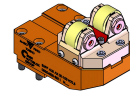
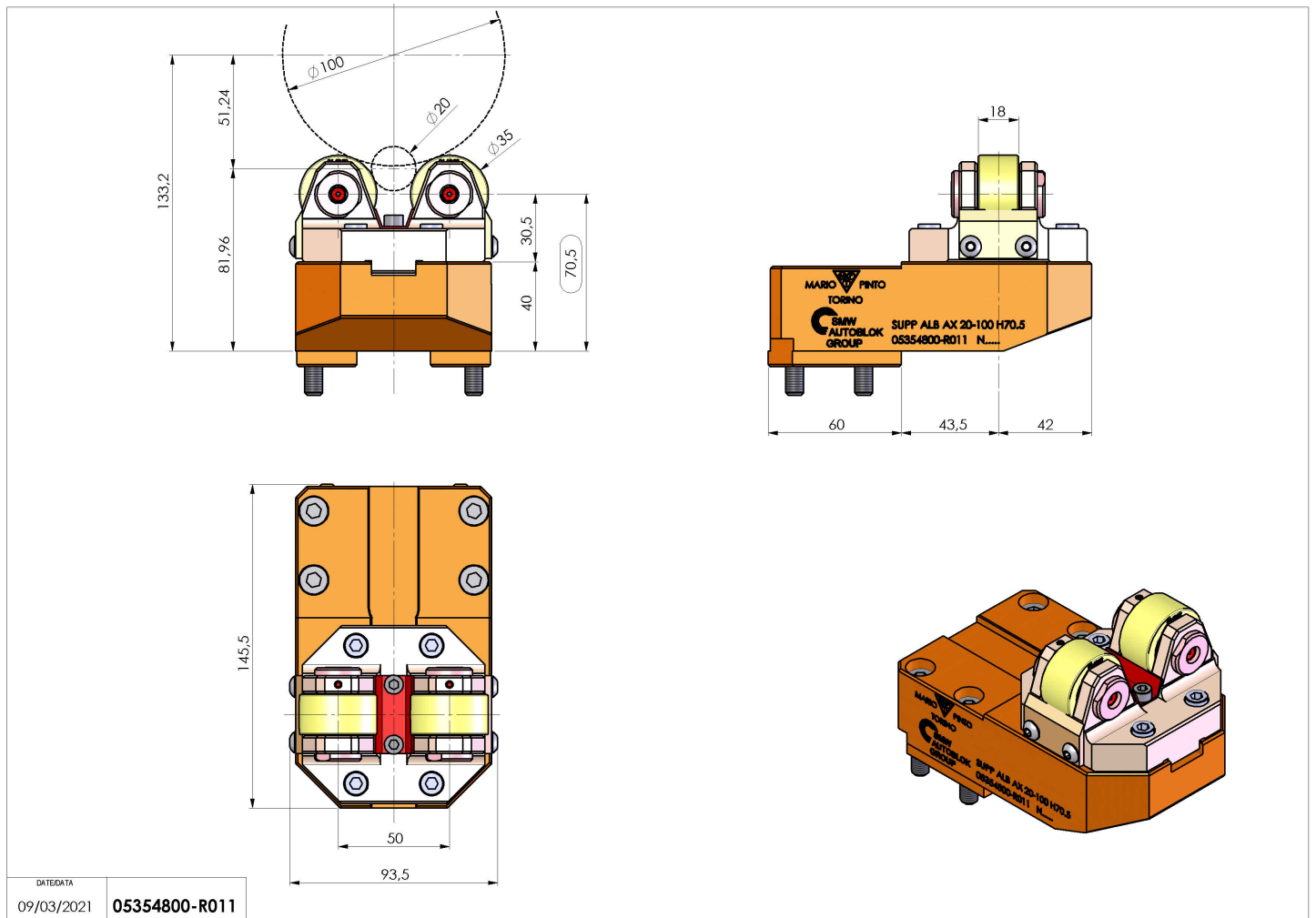


05354800 - SUPP ALB AX 20-100 H70,5

Type	SHAFT SUPPORT Shaft support
Mounting	CYLINDRICAL SHANK 40
Tool output	Shaft support Ø20-Ø100
Coolant	N.A.
H [mm]	70.5
Ø Min [mm]	20
Ø Max [mm]	100
Accessories	N.A.
Notes	N.A.
Mounting tips	N.A.



Always check live tool dimensions on the turret



DATE/DATE
09/03/2021 **05354800-R011**

Subject to technical changes