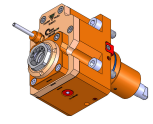
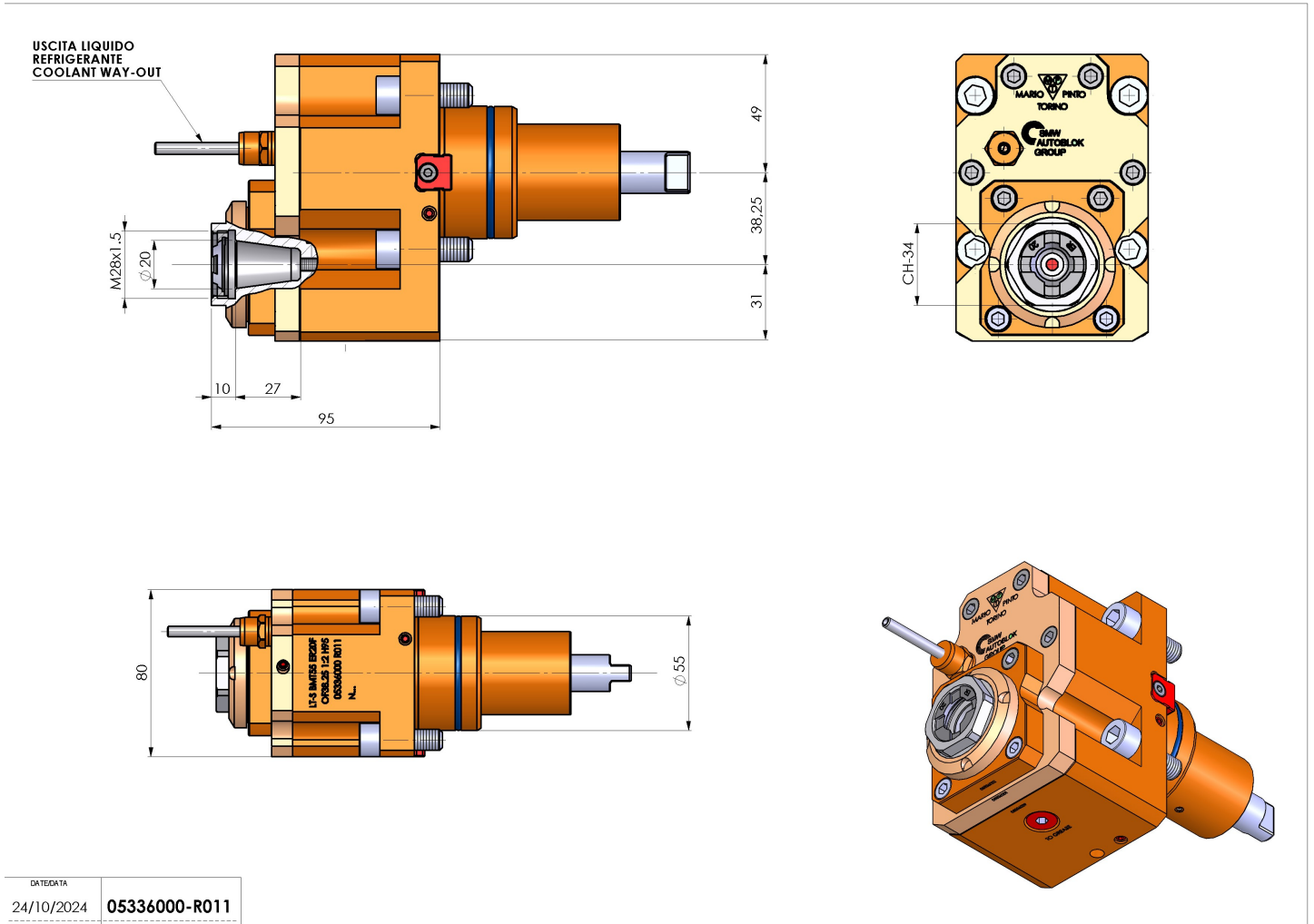


# 05336000 - LT-S BMT55 ER20F OF38.25 1:2 H95

<b>Type</b>	LT-S OFS Tool holder straight offset
<b>Mounting</b>	BMT 55
<b>Tool output</b>	Collet nut ER 20 F - internal nut
<b>Coolant</b>	External coolant
<b>Offset [mm]</b>	38,25
<b>Direction of rotation</b>	r1 ↻ r2 ↻
<b>Max speed [rpm]</b>	in 6000 / out 12000
<b>Max torque [Nm]</b>	in 40 / out 20
<b>Ratio</b>	1:2
<b>H [mm]</b>	95
<b>Accessories</b>	N.A.
<b>Notes</b>	N.A.
<b>Mounting tips</b>	N.A.



Always check live tool dimensions on the turret



DATE DATA	05336000-R011
24/10/2024	

Subject to technical changes