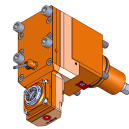


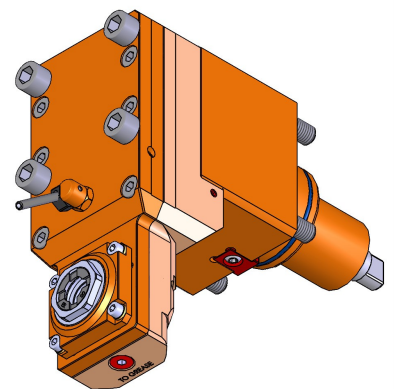
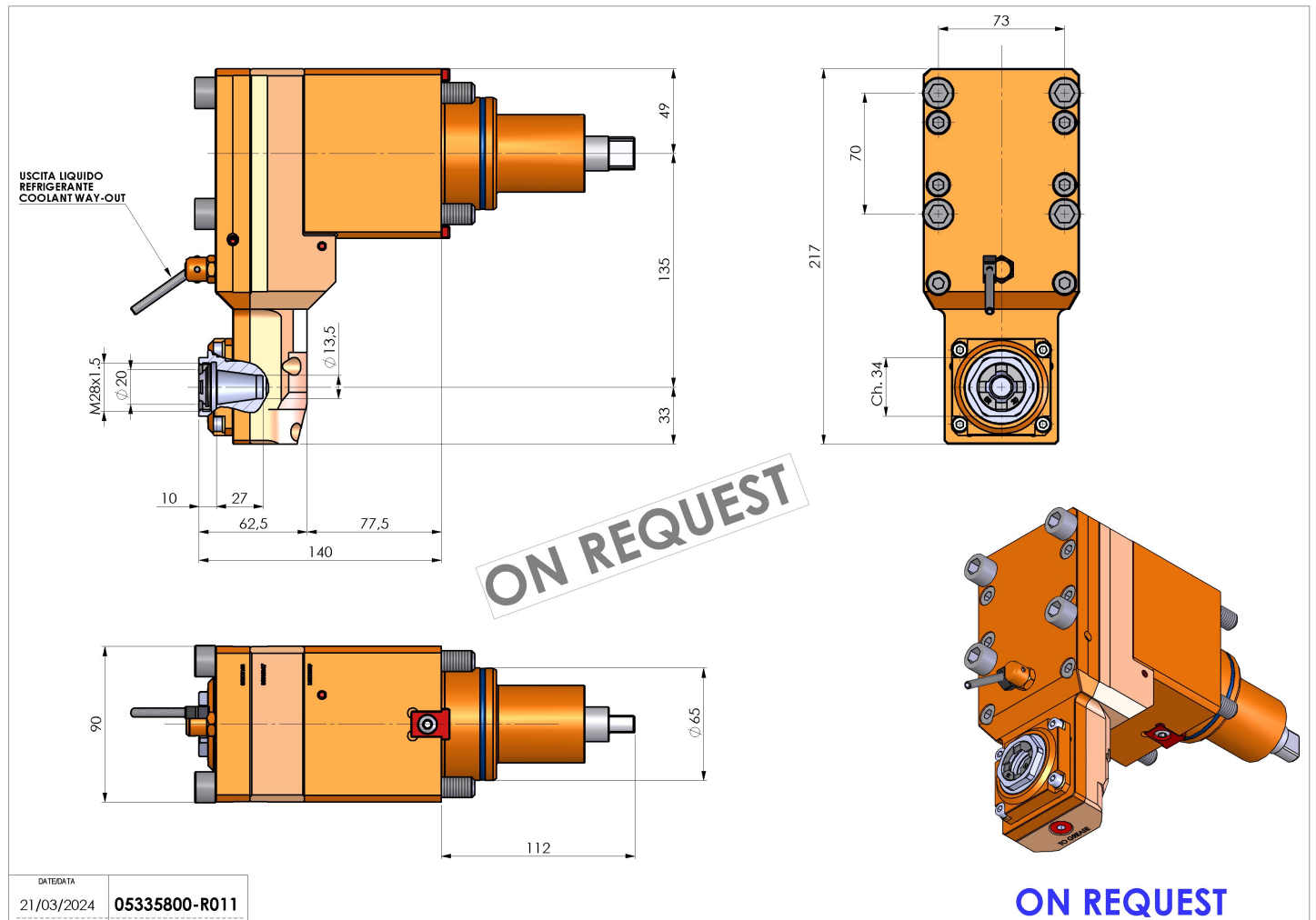
05335800 - LT-S BMT65 ER20F OFS135 1:1 H140

Type	LT-S OFS Tool holder straight offset
Mounting	BMT 65
Tool output	Collet nut ER 20 F - internal nut
Coolant	External coolant
Offset [mm]	135
Direction of rotation	r1 r2
Max speed [rpm]	5000
Max torque [Nm]	50
Ratio	1:1
H [mm]	140
Accessories	N.A.
Notes	N.A.
Mounting tips	N.A.



ON REQUEST

Always check live tool dimensions on the turret



ON REQUEST

Subject to technical changes

DATE/DATA	
21/03/2024	05335800-R011