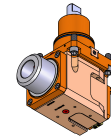
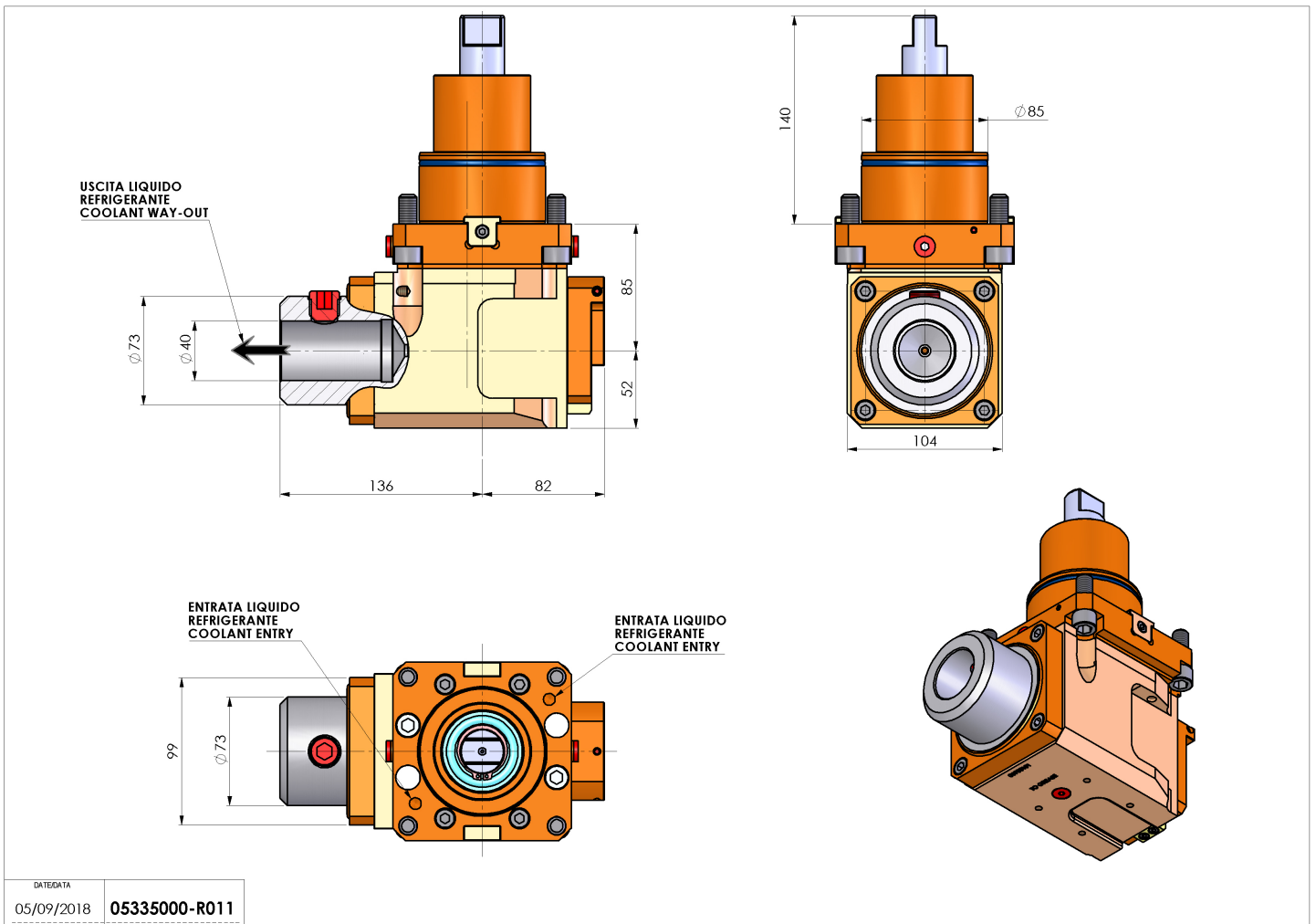


05335000 - LT-A BMT85 WELDON40 HRF LR H85

Type	LT-A Tool holder angle 90°
Mounting	BMT 85
Tool output	Weldon 40 DIN1835B
Coolant	HRF Internal coolant
Direction of rotation	r1 ↻ r2 ↻
Max speed [rpm]	4000
Max torque [Nm]	180
Ratio	1:1
H [mm]	85
H1 [mm]	52
Max pressure [bar]	80
Accessories	N.A.
Notes	N.A.
Mounting tips	N.A.



Always check live tool dimensions on the turret



DATE/DATE	05/09/2018
	05335000-R011

Subject to technical changes