

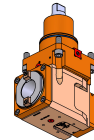
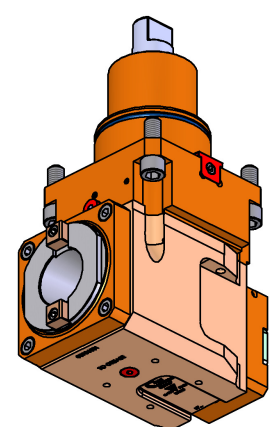
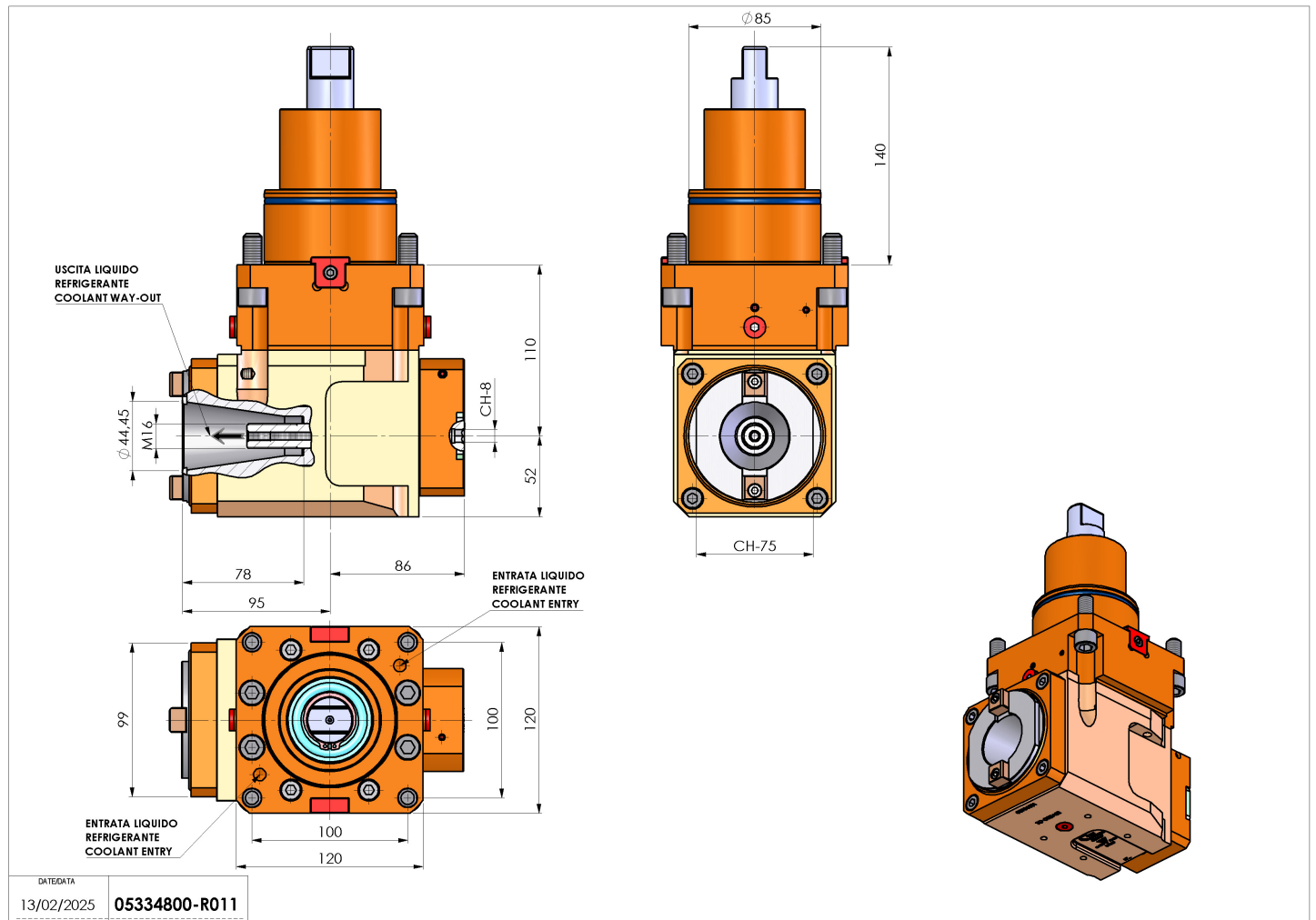


# 05334800 - LT-A BMT85 ISO-BT40 HRF H110

<b>Type</b>	LT-A Tool holder angle 90°
<b>Mounting</b>	BMT 85
<b>Tool output</b>	Quick Change ISO-BT40
<b>Coolant</b>	HRF Internal coolant
<b>Direction of rotation</b>	r1  r2 
<b>Max speed [rpm]</b>	4000
<b>Max torque [Nm]</b>	180
<b>H [mm]</b>	110
<b>H1 [mm]</b>	52
<b>Max pressure [bar]</b>	70
<b>Accessories</b>	N.A.
<b>Notes</b>	N.A.
<b>Mounting tips</b>	N.A.



Always check live tool dimensions on the turret



Subject to technical changes