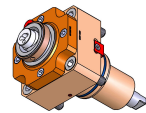
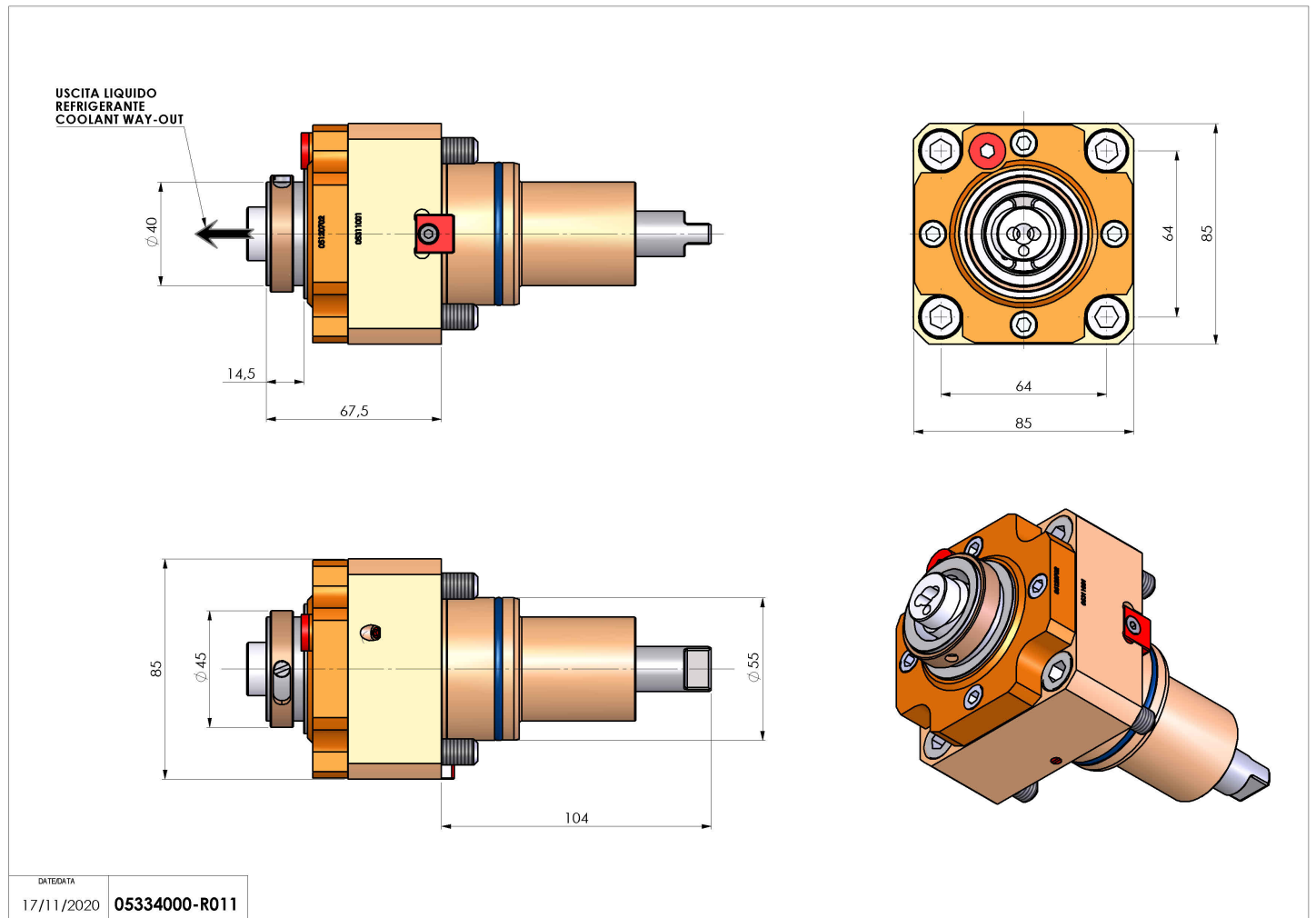


05334000 - LT-S BMT55 HSK40 RF H67,5

Type	LT-S Tool holder straight
Mounting	BMT 55
Tool output	Quick Change HSK40
Coolant	Internal coolant
Direction of rotation	r1 ↻ r2 ↻
Max speed [rpm]	6000
Max torque [Nm]	40
Ratio	1:1
H [mm]	67.5
Max pressure [bar]	20
Accessories	N.A.
Notes	N.A.
Mounting tips	N.A.



Always check live tool dimensions on the turret



Subject to technical changes