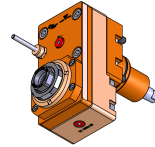
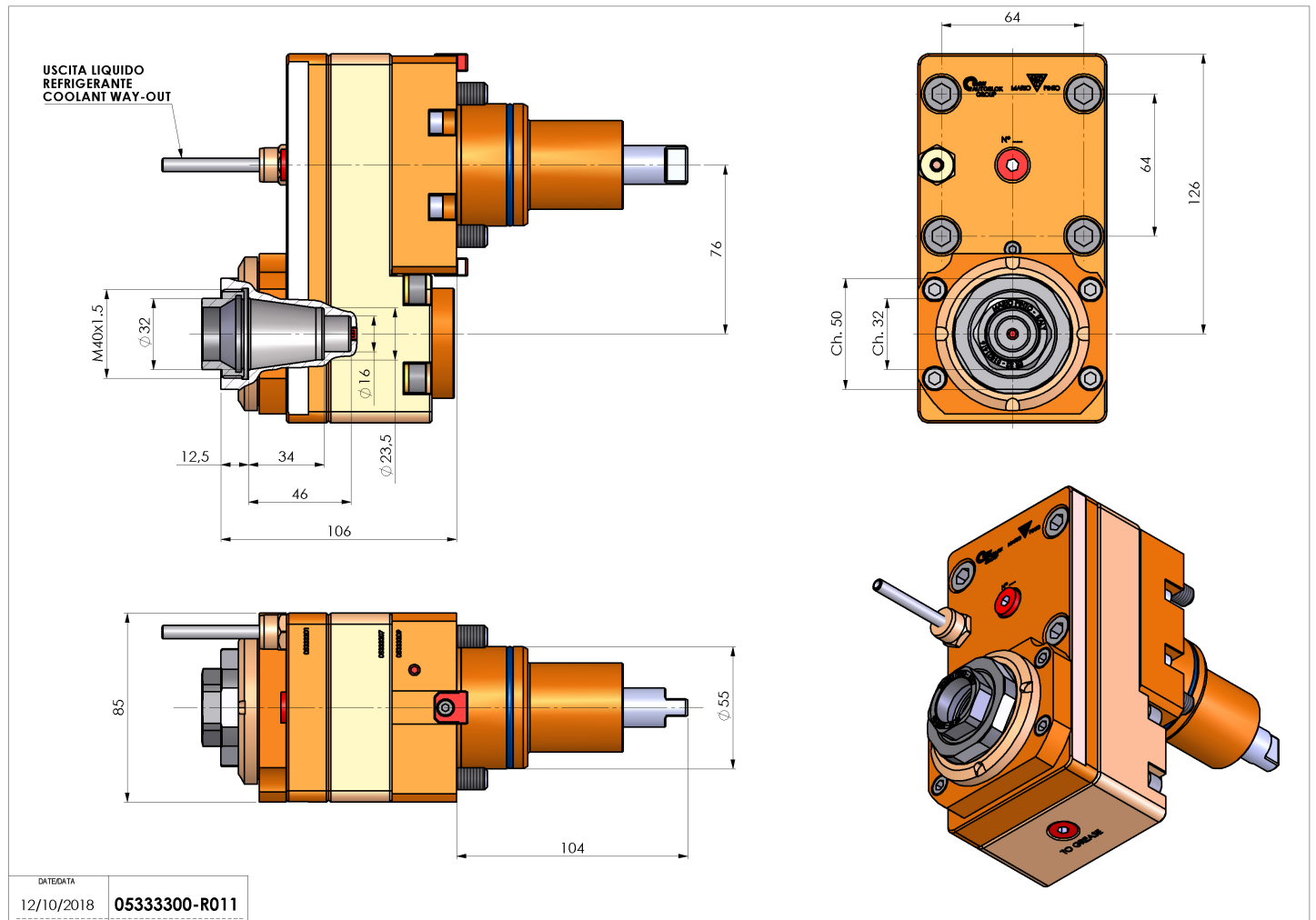


05333400 - LT-S BMT55 ER32F OFS76 H106

Type	LT-S OFS Tool holder straight offset
Mounting	BMT 55
Tool output	Collet nut ER 32 F - internal nut
Coolant	External coolant
Offset [mm]	76
Direction of rotation	r1 r2
Max speed [rpm]	6000
Max torque [Nm]	40
Ratio	1:1
H [mm]	106
Accessories	N.A.
Notes	N.A.
Mounting tips	N.A.



Always check live tool dimensions on the turret



DATE/DATE	12/10/2018
PART NUMBER	05333300-R011

Subject to technical changes