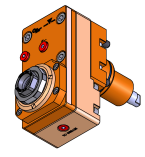
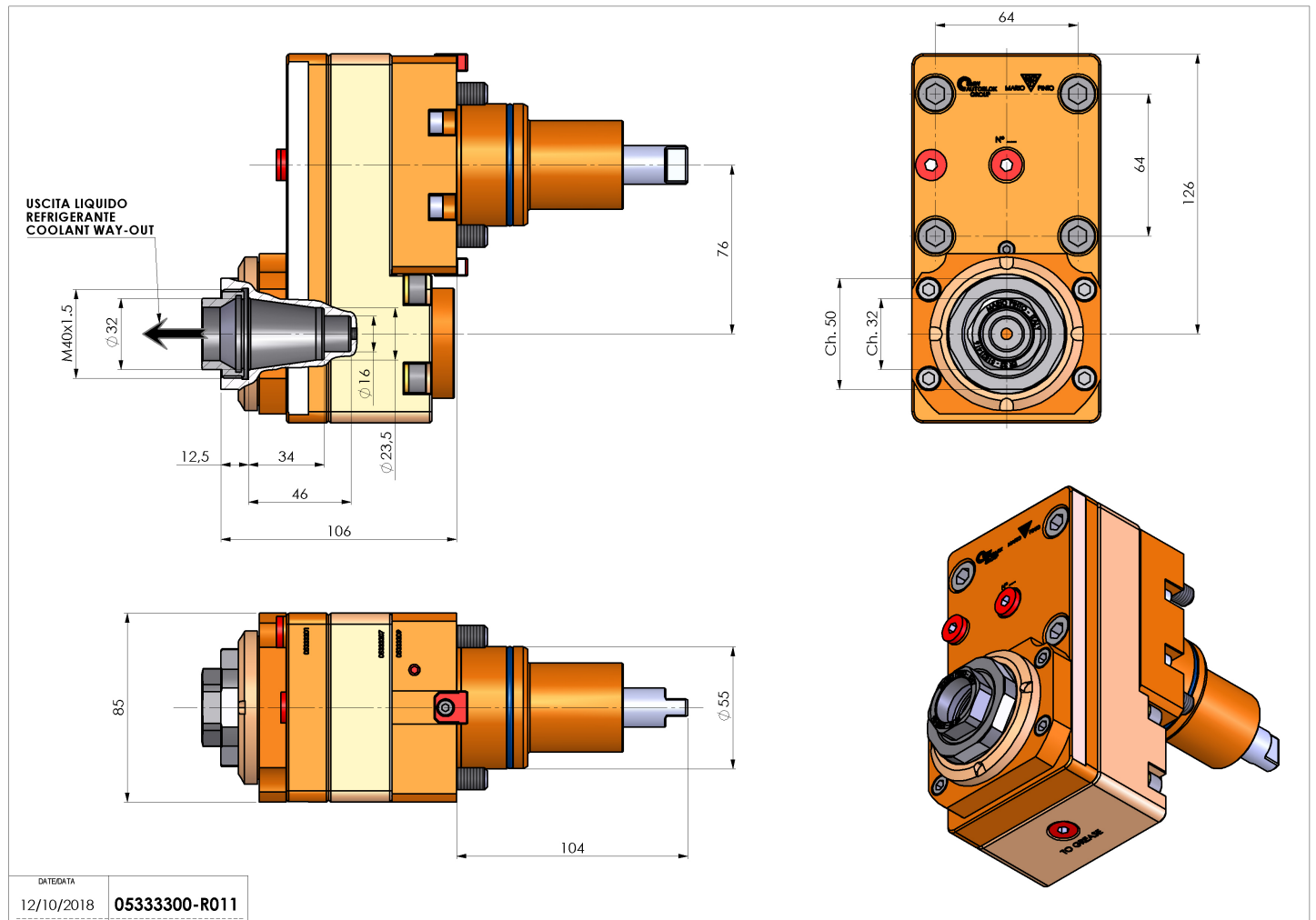


05333300 - LT-S BMT55 ER32F OFS76 RF H106

| | |
|------------------------------|---|
| Type | LT-S OFS Tool holder straight offset |
| Mounting | BMT 55 |
| Tool output | Collet nut ER 32 F - internal nut |
| Coolant | Internal coolant |
| Offset [mm] | 76 |
| Direction of rotation | r1 ↻ r2 ↻ |
| Max speed [rpm] | 6000 |
| Max torque [Nm] | 40 |
| Ratio | 1:1 |
| H [mm] | 106 |
| Max pressure [bar] | 20 |
| Accessories | N.A. |
| Notes | N.A. |
| Mounting tips | N.A. |



Always check live tool dimensions on the turret



| | | |
|-----------|------------|---------------|
| DATE/DATE | 12/10/2018 | 05333300-R011 |
|-----------|------------|---------------|

Subject to technical changes