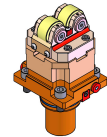
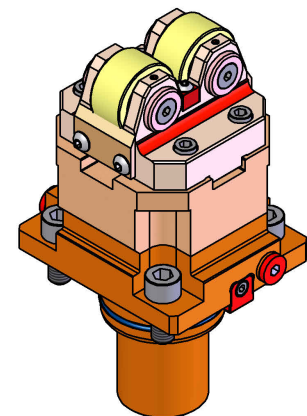
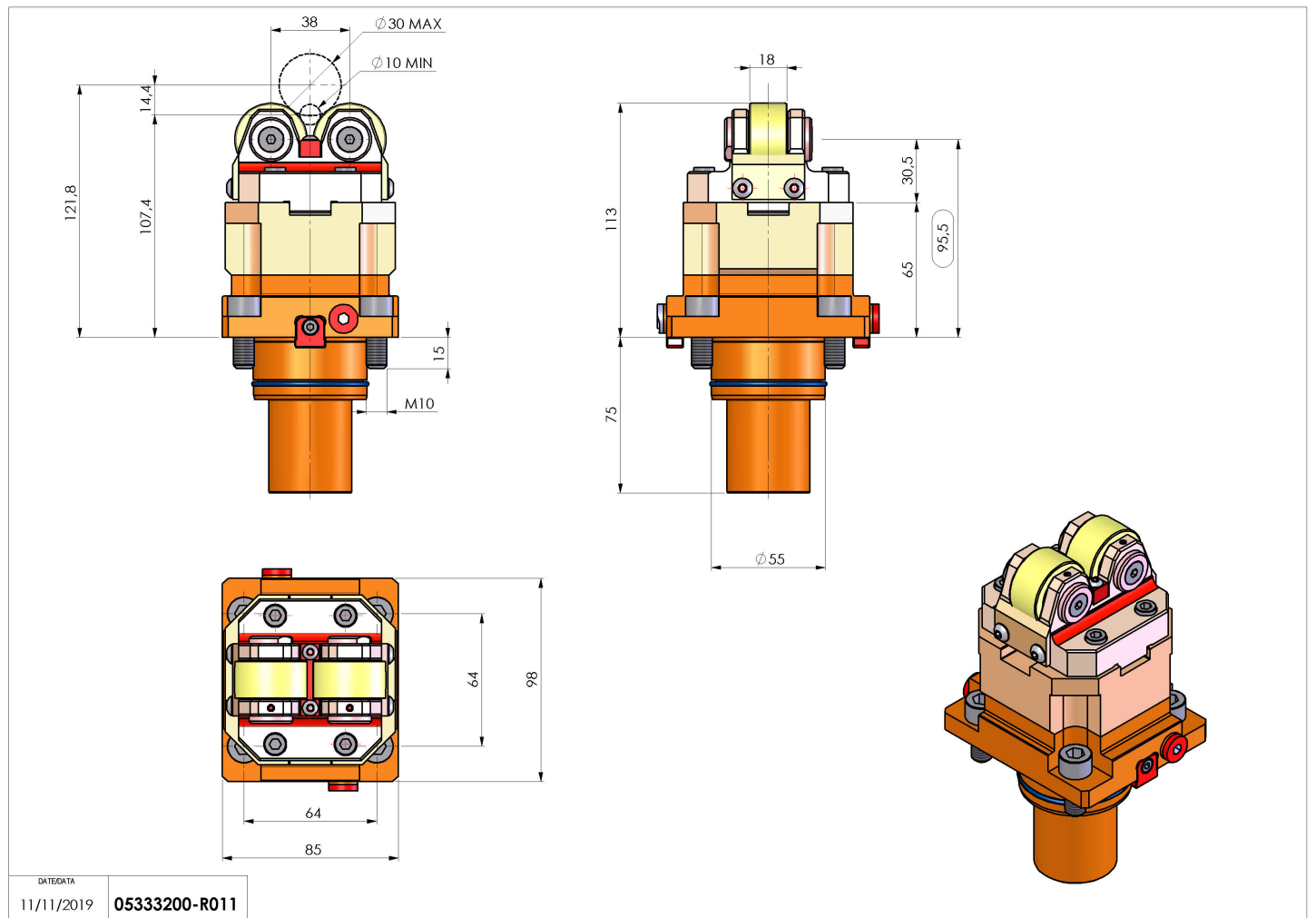


## 05333200 - SUPP ALB BMT55 AX D10-30

<b>Type</b>	SHAFT SUPPORT Shaft support
<b>Mounting</b>	BMT 55
<b>Tool output</b>	Shaft support Ø10-Ø30
<b>Coolant</b>	N.A.
<b>H [mm]</b>	65.5
<b>Ø Min [mm]</b>	10
<b>Ø Max [mm]</b>	30
<b>Accessories</b>	N.A.
<b>Notes</b>	N.A.
<b>Mounting tips</b>	Lower turret



Always check live tool dimensions on the turret



Subject to technical changes

DATE/DATE  
11/11/2019 05333200-R011