

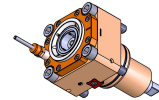
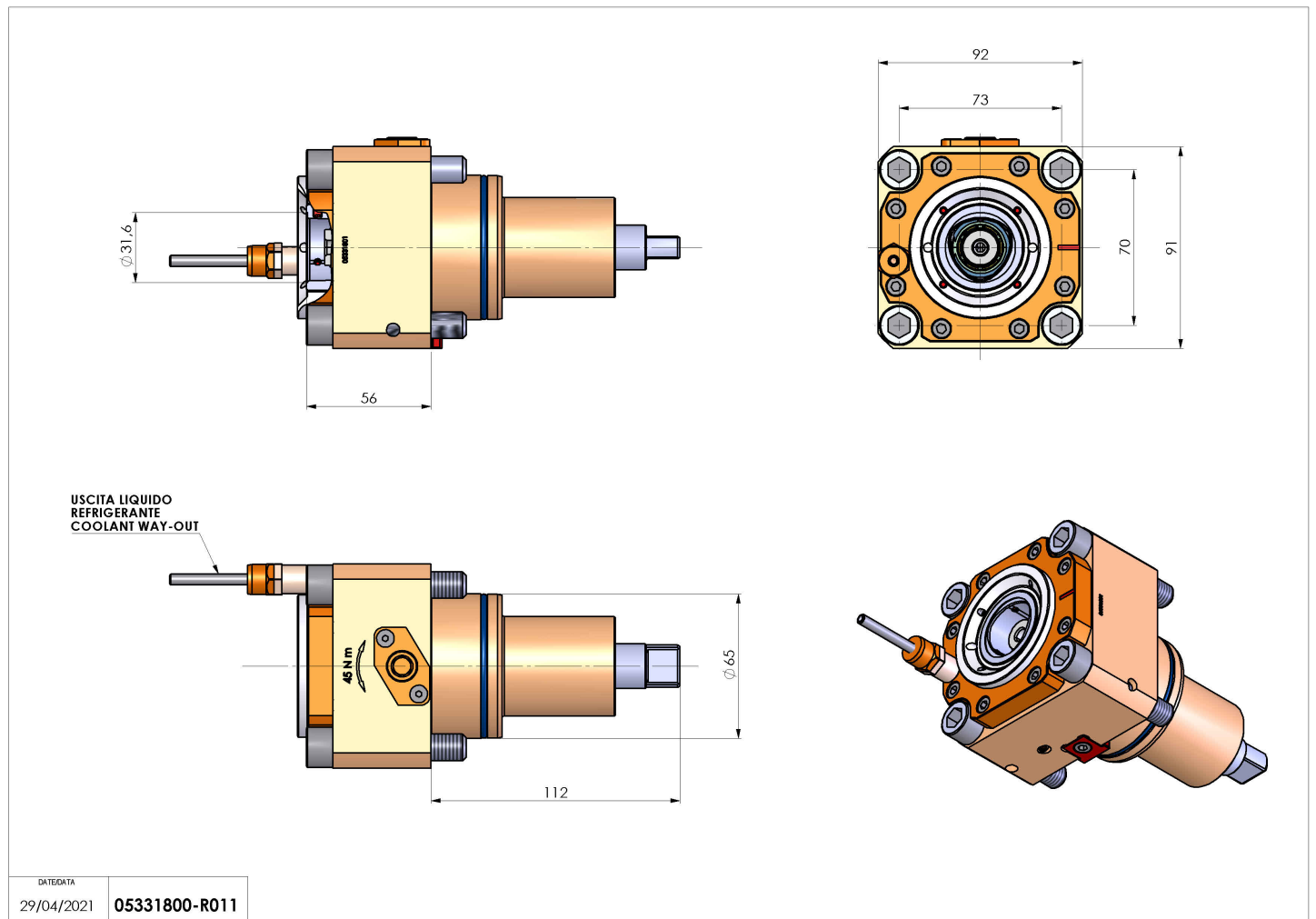


05331800 - LT-S BMT65 C40 H56

| | |
|------------------------------|---|
| Type | LT-S Tool holder straight |
| Mounting | BMT 65 |
| Tool output | Polygonal shank C40 ISO 26623-1 |
| Coolant | External coolant |
| Direction of rotation | r1  r2  |
| Max speed [rpm] | 6000 |
| Max torque [Nm] | 70 |
| Ratio | 1:1 |
| H [mm] | 56 |
| Accessories | N.A. |
| Notes | N.A. |
| Mounting tips | N.A. |



Always check live tool dimensions on the turret



Subject to technical changes

| | |
|------------|---------------|
| DATE/DATE | 05331800-R011 |
| 29/04/2021 | |