
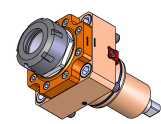
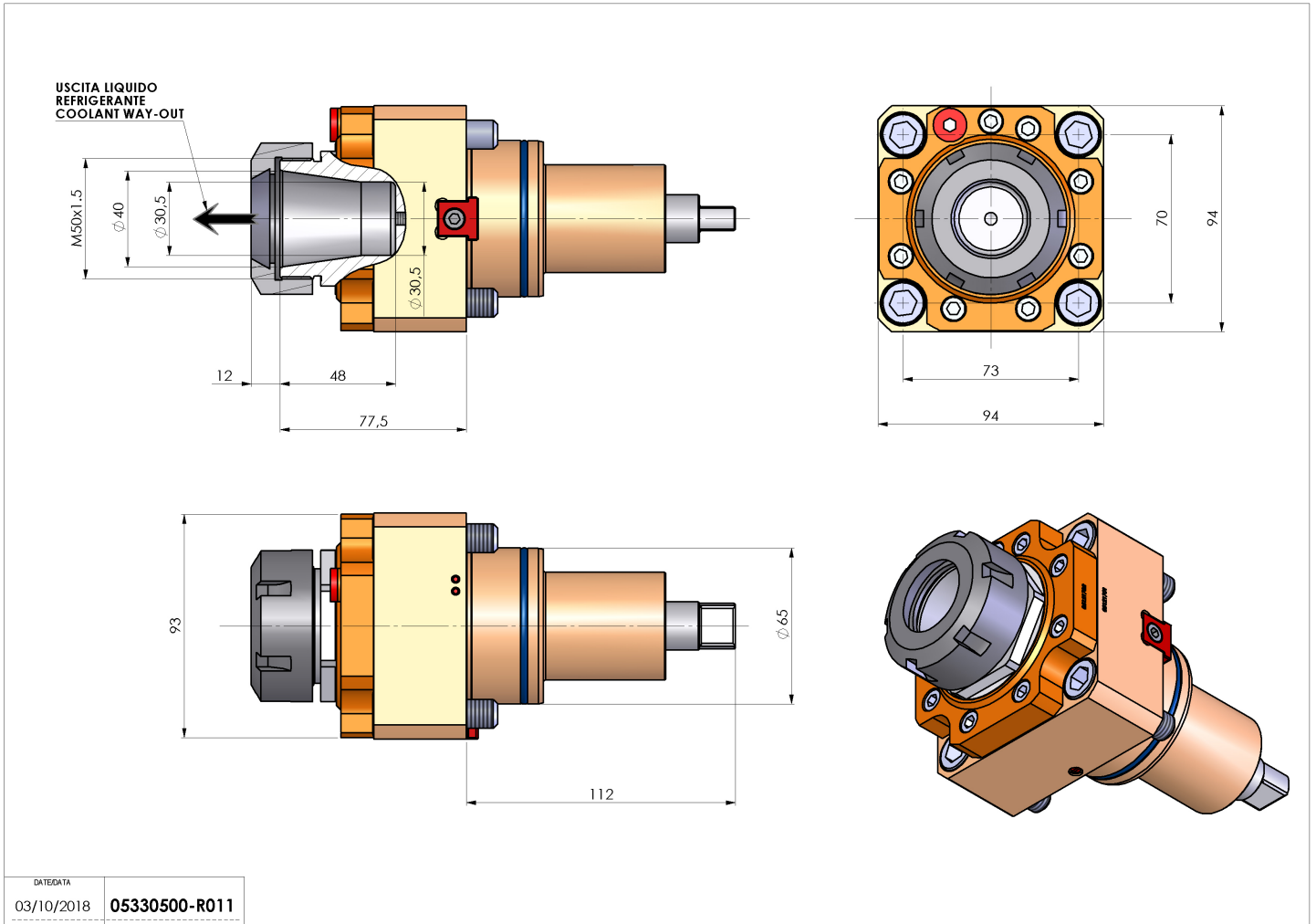


05330500 - LT-S BMT65 ER40 RF H90

Type	LT-S Tool holder straight
Mounting	BMT 65
Tool output	Collet nut ER 40
Coolant	Internal coolant
Direction of rotation	r1  r2 
Max speed [rpm]	6000
Max torque [Nm]	63
Ratio	1:1
H [mm]	90
Max pressure [bar]	20
Accessories	N.A.
Notes	N.A.
Mounting tips	N.A.



Always check live tool dimensions on the turret



Subject to technical changes

DATE/DATE	03/10/2018	05330500-R011
-----------	------------	---------------