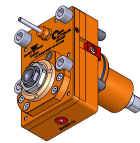
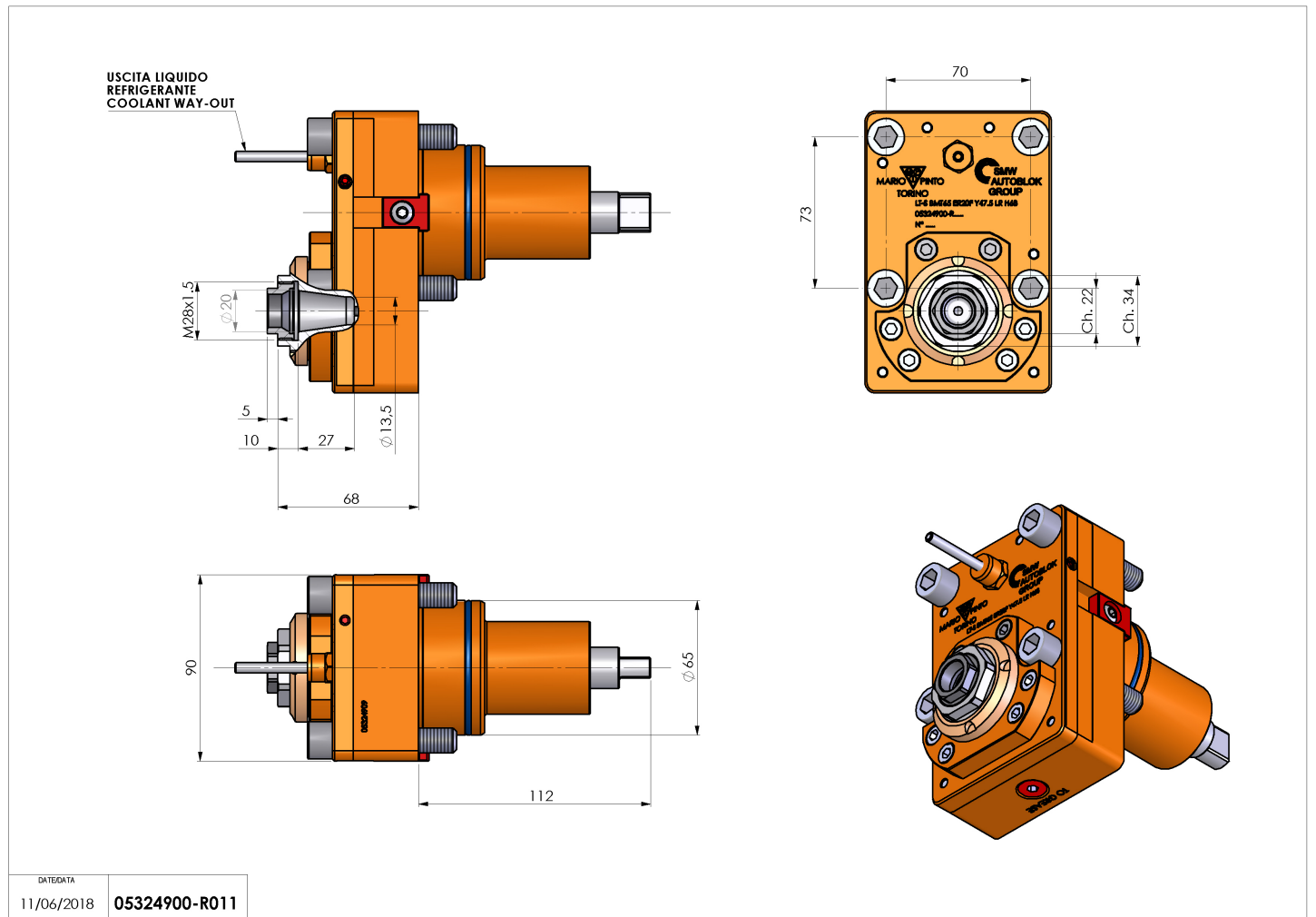


05324900 - LT-S BMT65 ER20F Y47.5 LR H68

Type	LT-S OFS Tool holder straight offset
Mounting	BMT 65
Tool output	Collet nut ER 20 F - internal nut
Coolant	External coolant
Offset [mm]	47.5
Direction of rotation	r1 ↻ r2 ↻
Max speed [rpm]	6000
Max torque [Nm]	63
Ratio	1:1
H [mm]	68
Accessories	N.A.
Notes	N.A.
Mounting tips	90° assembly on Y axis



Always check live tool dimensions on the turret



Subject to technical changes