
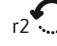
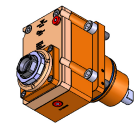
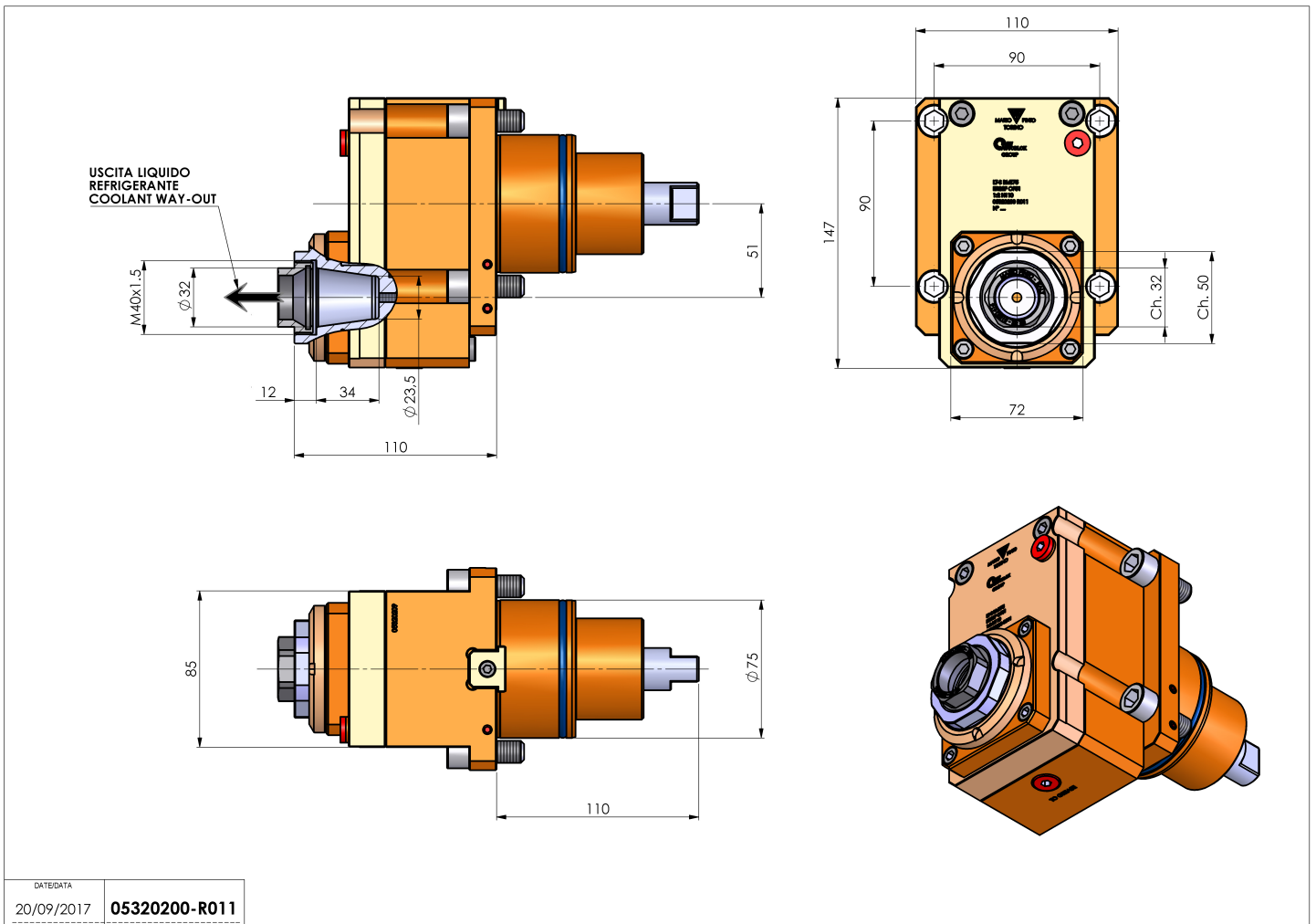


05320200 - LT-S BMT75 ER32F OF51RF1:2H110

Type	LT-S OFS Tool holder straight offset
Mounting	BMT 75
Tool output	Collet nut ER 32 F - internal nut
Coolant	Internal coolant
Offset [mm]	51
Direction of rotation	r1  r2 
Max speed [rpm]	in 4000 / out 8000
Max torque [Nm]	in 50 / out 25
Ratio	1:2
H [mm]	110
Max pressure [bar]	20
Accessories	N.A.
Notes	N.A.
Mounting tips	N.A.



Always check live tool dimensions on the turret



DATE/DATA	05320200-R011
20/09/2017	

Subject to technical changes