

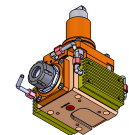
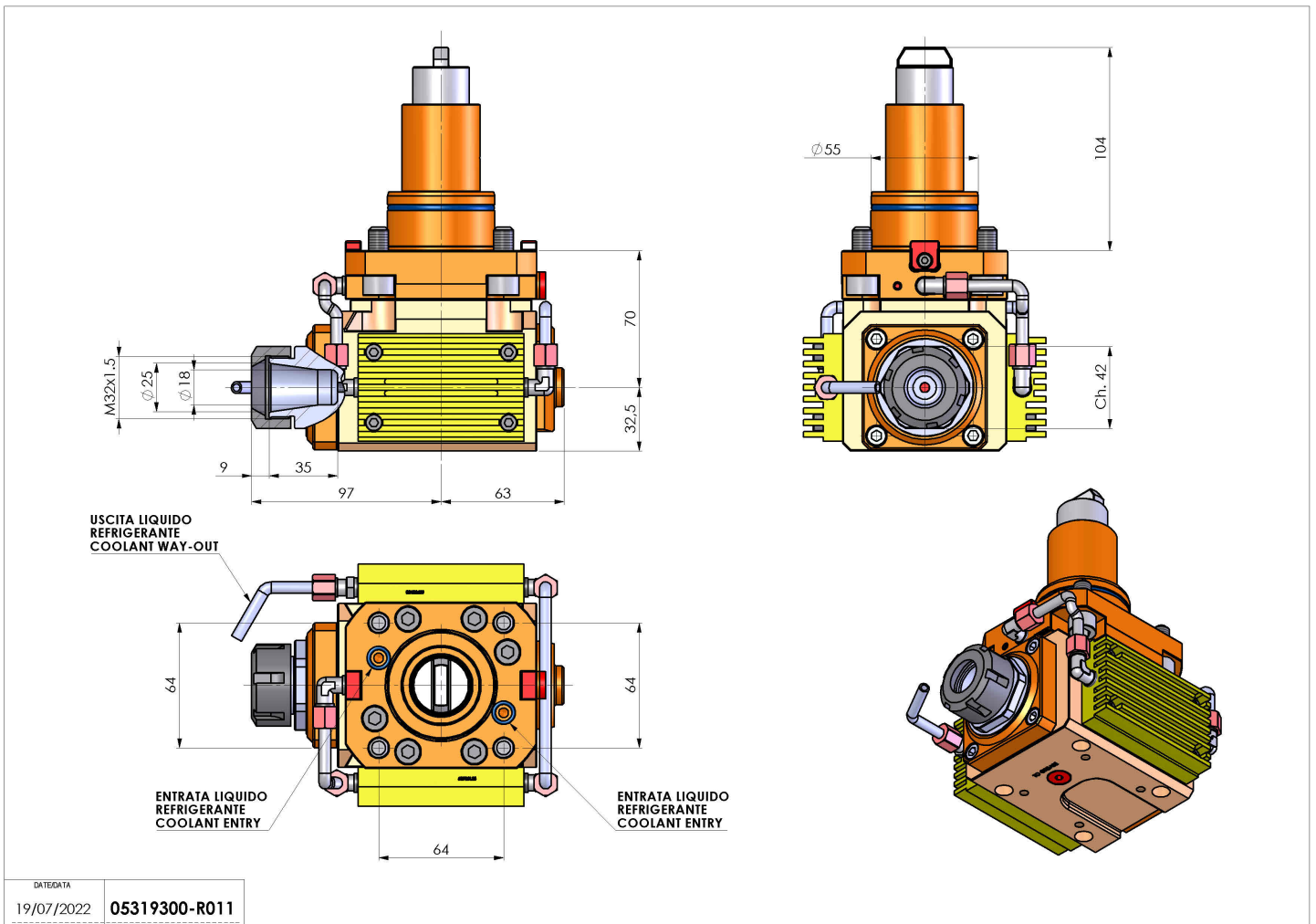


05319300 - LT-A BMT55 BD ER25 1:2 KR H70

Type	LT-A Tool holder angle 90°
Mounting	BMT 55 BIG DRIVE
Tool output	Collet nut ER 25
Coolant	With coolant kit
Direction of rotation	r1  r2 
Max speed [rpm]	in 6000 / out 12000
Max torque [Nm]	in 60 / out 30
Ratio	1:2
H [mm]	70
H1 [mm]	32.5
Accessories	N.A.
Notes	N.A.
Mounting tips	N.A.



Always check live tool dimensions on the turret



Subject to technical changes