

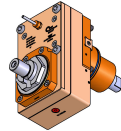
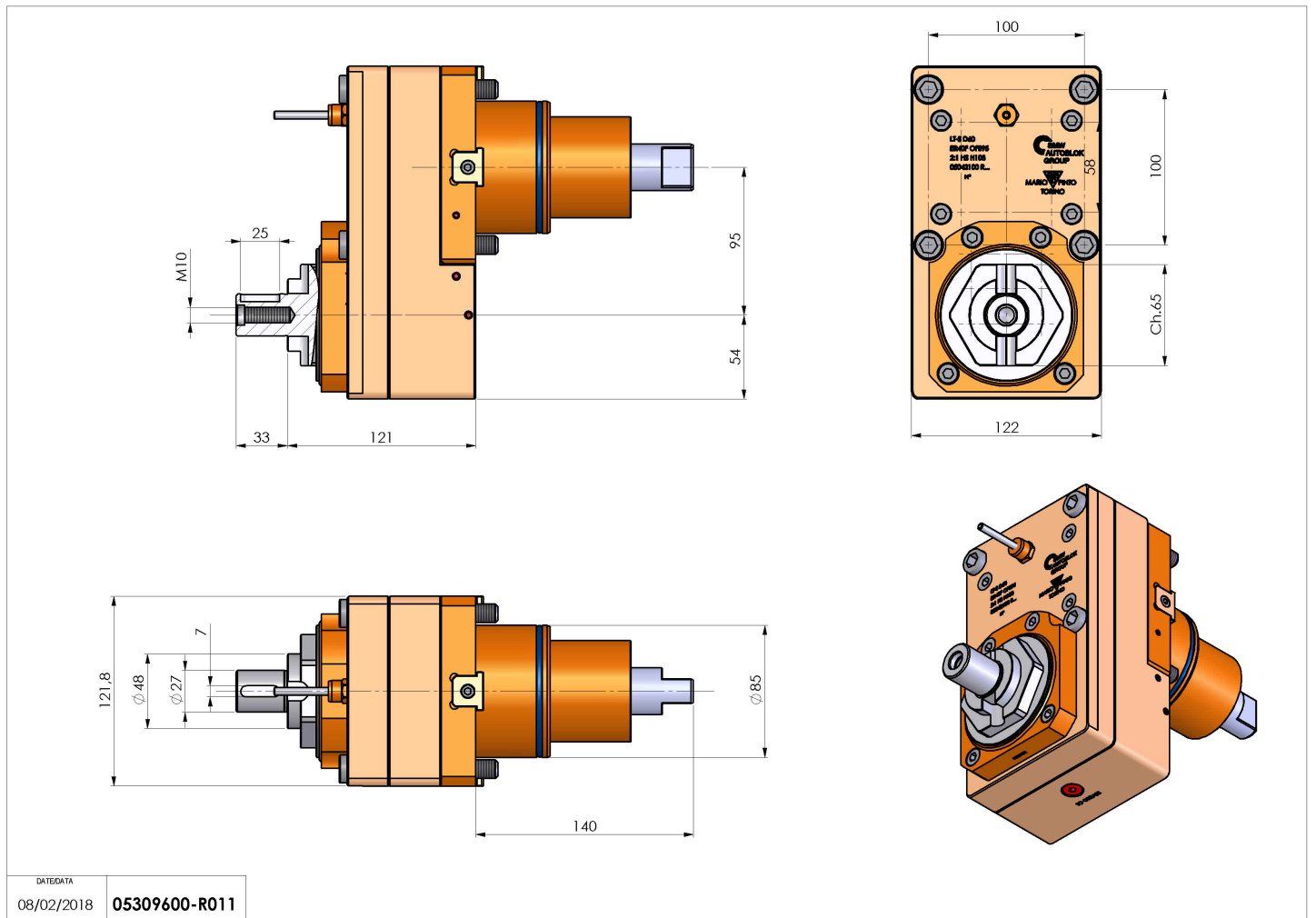


05309600 - LTS BMT85 138-27OFS952:1H121AY

Type	LT-S OFS Tool holder straight offset
Mounting	BMT 85
Tool output	Shell-Mill DIN138 27
Coolant	External coolant
Offset [mm]	95
Direction of rotation	r1  r2 
Max speed [rpm]	6000
Max torque [Nm]	50
Ratio	2:1
H [mm]	121
Accessories	N.A.
Notes	N.A.
Mounting tips	N.A.



Always check live tool dimensions on the turret



DATE/DATE
08/02/2018 05309600-R011

Subject to technical changes