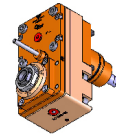
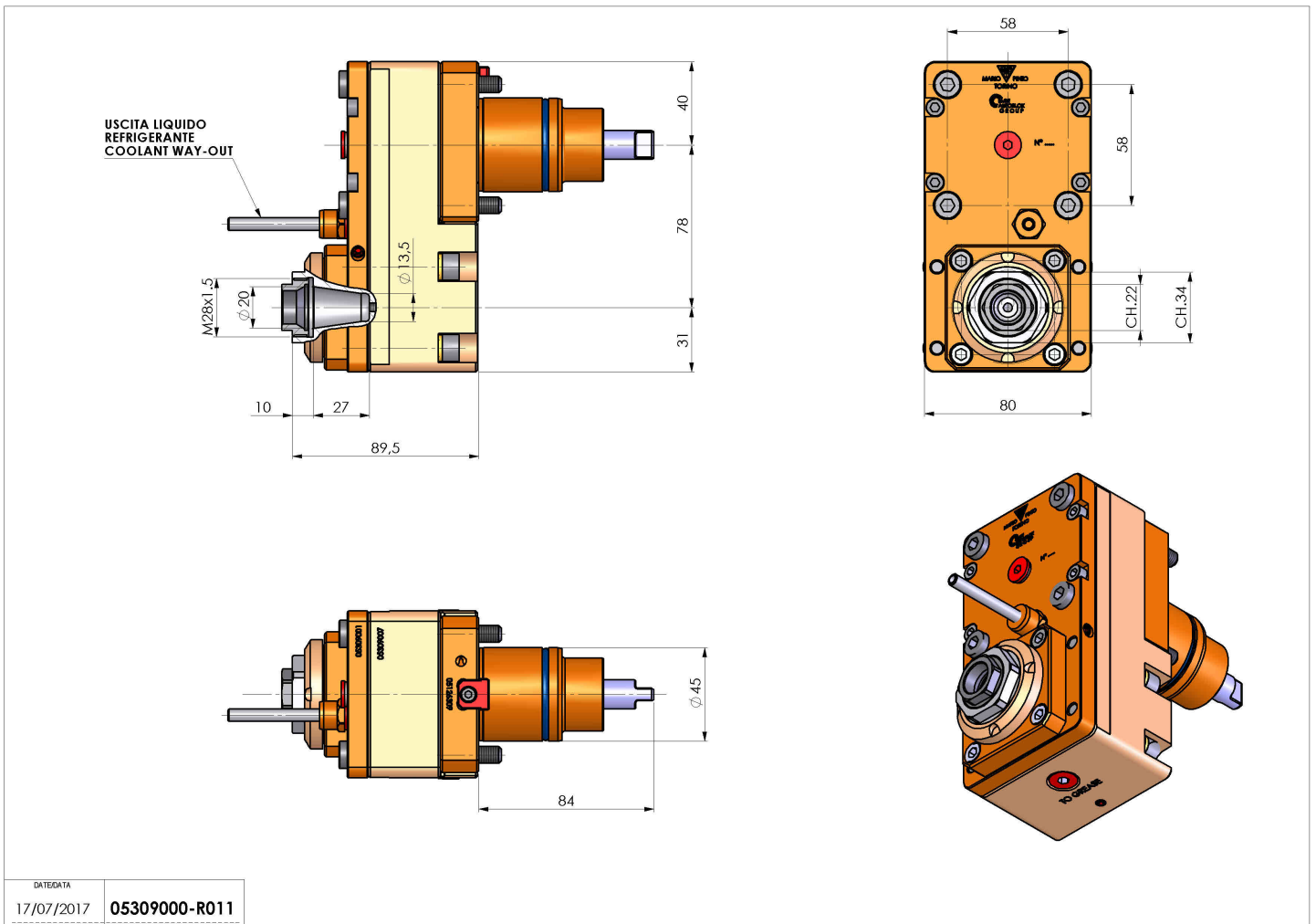


# 05309000 - LT-S BMT45 ER20F OFS78LR1:3H90

<b>Type</b>	LT-S OFS Tool holder straight offset
<b>Mounting</b>	BMT 45
<b>Tool output</b>	Collet nut ER 20 F - internal nut
<b>Coolant</b>	External coolant
<b>Offset [mm]</b>	78
<b>Direction of rotation</b>	r1  r2
<b>Max speed [rpm]</b>	in 5000 / out 15000
<b>Max torque [Nm]</b>	in 25 / out 8
<b>Ratio</b>	1:3
<b>H [mm]</b>	90
<b>Accessories</b>	N.A.
<b>Notes</b>	N.A.
<b>Mounting tips</b>	Main and secondary spindle



Always check live tool dimensions on the turret



DATE/DATE	05309000-R011
17/07/2017	

Subject to technical changes