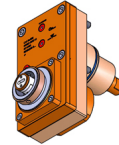
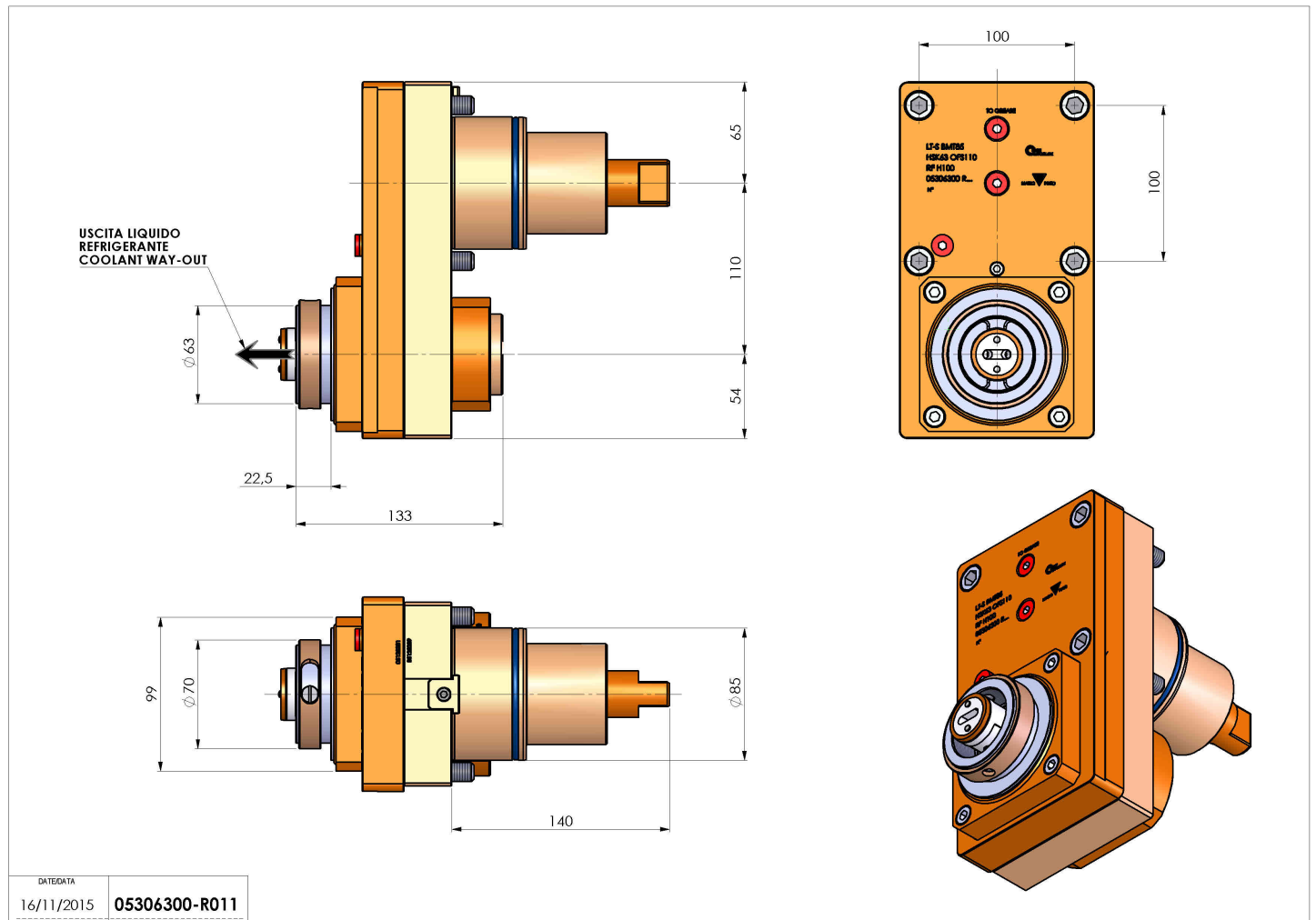


05306300 - LT-S BMT85 HSK63 OFS110 RFH100

Type	LT-S OFS Tool holder straight offset
Mounting	BMT 85
Tool output	Quick Change HSK63
Coolant	Internal coolant
Offset [mm]	110
Direction of rotation	r1 ↻ r2 ↻
Max speed [rpm]	4000
Max torque [Nm]	180
Ratio	1:1
H [mm]	100
Max pressure [bar]	20
Accessories	N.A.
Notes	N.A.
Mounting tips	N.A.



Always check live tool dimensions on the turret



DATE/DATE	16/11/2015
	05306300-R011

Subject to technical changes