
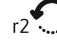
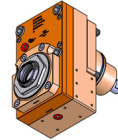
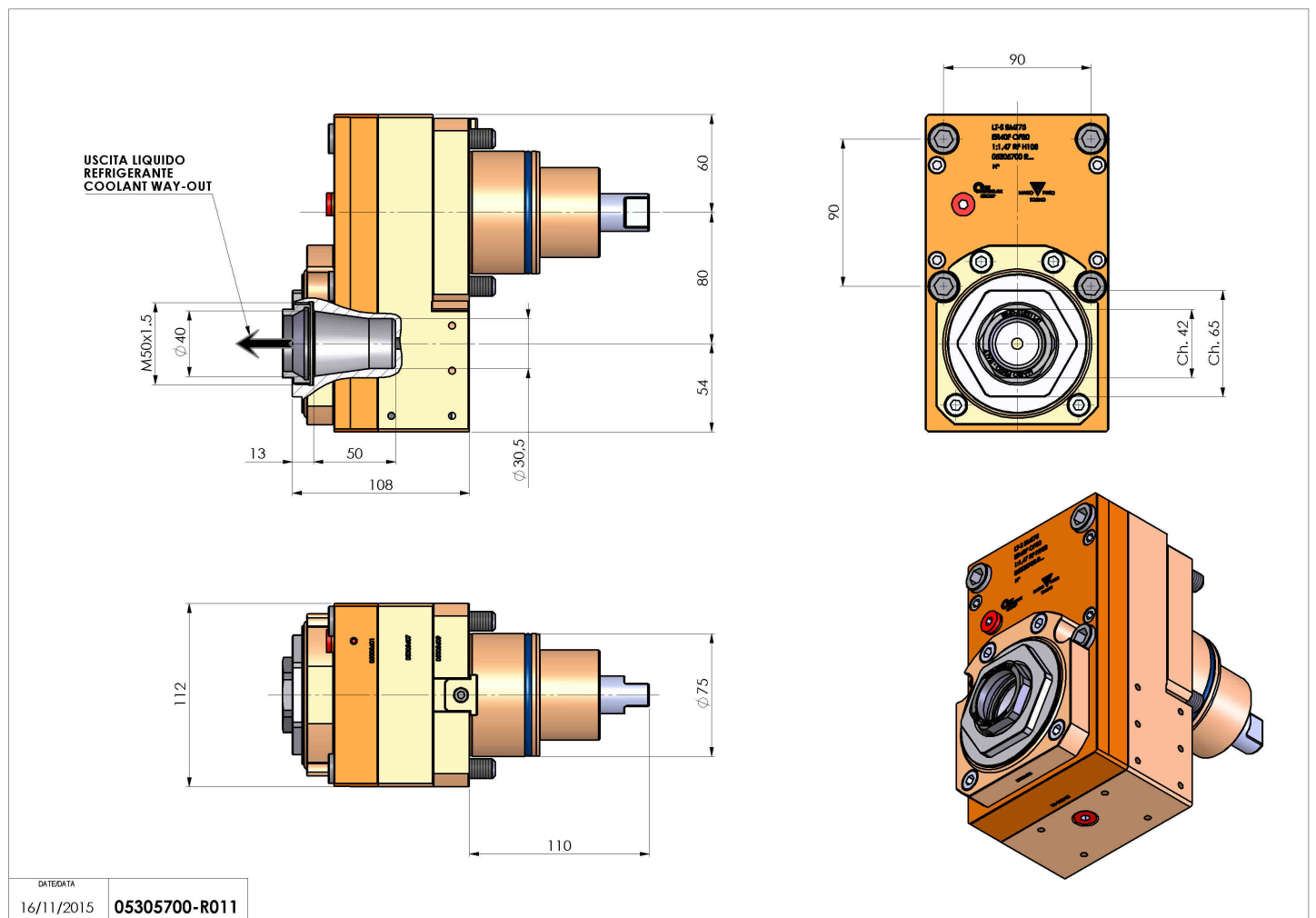


05305700 - LT-SBMT75ER40FOF80RF1:1.47H108

Type	LT-S OFS Tool holder straight offset
Mounting	BMT 75
Tool output	Collet nut ER 40 F - internal nut
Coolant	Internal coolant
Offset [mm]	80
Direction of rotation	r1  r2 
Max speed [rpm]	in 4080 / out 6000
Max torque [Nm]	in 176 / out 120
Ratio	1:1,47
H [mm]	108
Max pressure [bar]	20
Accessories	N.A.
Notes	N.A.
Mounting tips	N.A.



Always check live tool dimensions on the turret



Subject to technical changes