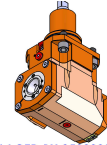


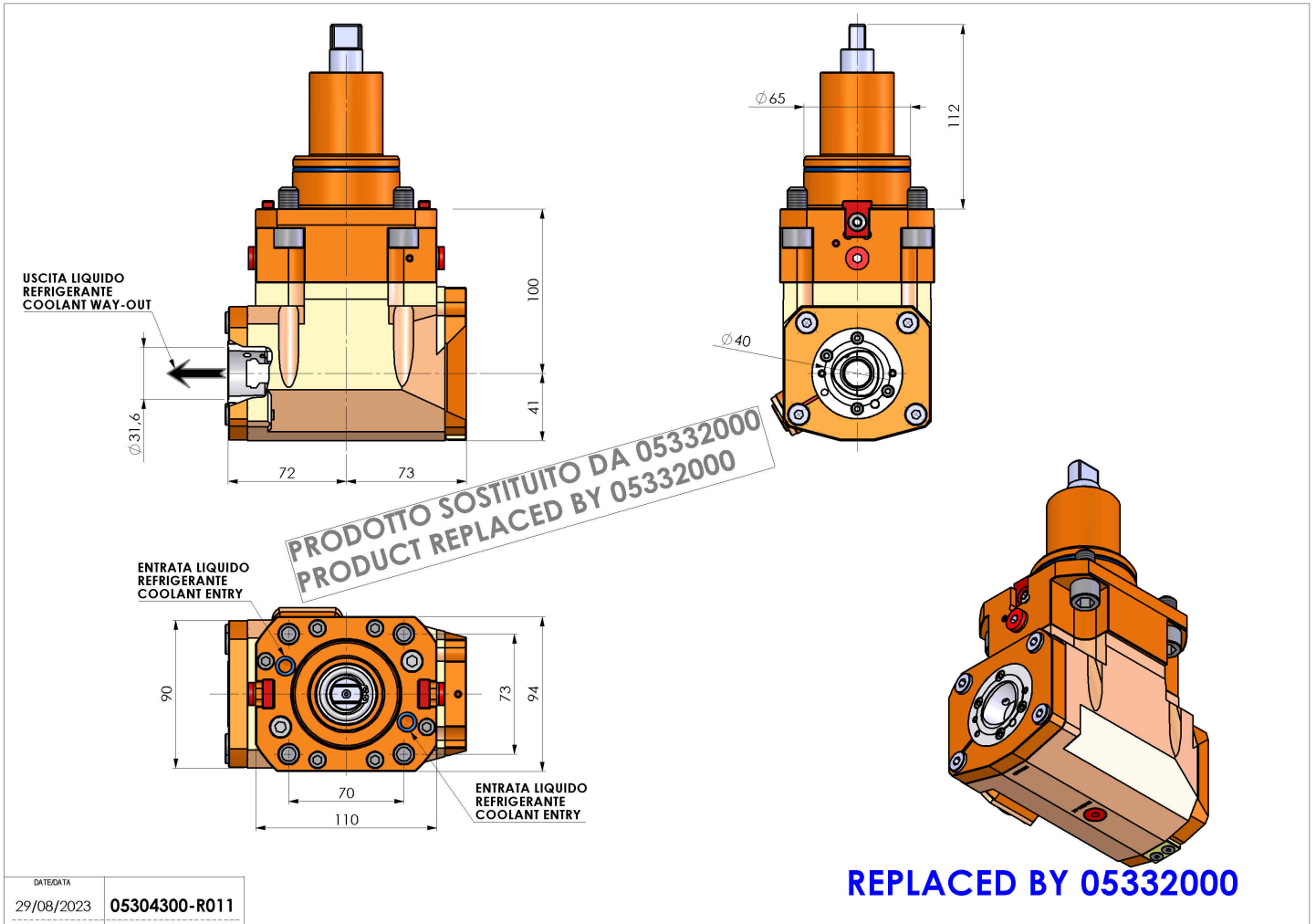
05304300 - LT-A BMT65 C40 LR HRF H100

Type	LT-A Tool holder angle 90°
Mounting	BMT 65
Tool output	Polygonal shank C40 ISO 26623-1
Coolant	Internal coolant
Direction of rotation	r1 ↻ r2 ↻
Max speed [rpm]	6000
Max torque [Nm]	63
Ratio	1:1
H [mm]	100
H1 [mm]	41
Accessories	N.A.
Notes	N.A.
Mounting tips	N.A.



REPLACED BY 05332000

Always check live tool dimensions on the turret



DATE/DATE	05304300-R011
29/08/2023	

Subject to technical changes