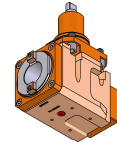
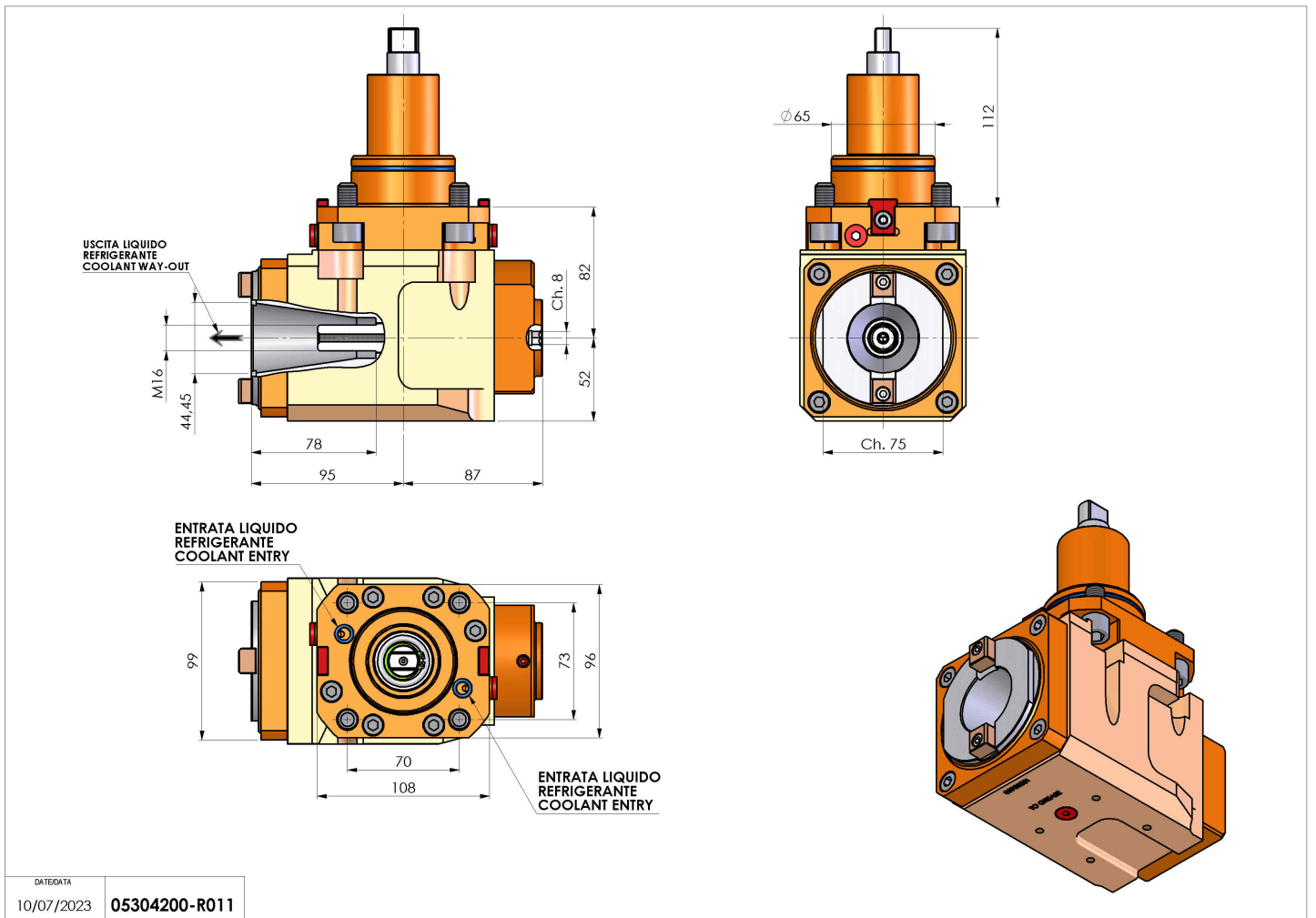


05304200 - LT-A BMT65 ISO-BT40 LR RF H82

Type	LT-A Tool holder angle 90°
Mounting	BMT 65
Tool output	Quick Change ISO-BT40
Coolant	Internal coolant
Direction of rotation	r1 ↻ r2 ↻
Max speed [rpm]	6000
Max torque [Nm]	63
Ratio	1:1
H [mm]	82
H1 [mm]	52
Max pressure [bar]	20
Accessories	N.A.
Notes	N.A.
Mounting tips	N.A.



Always check live tool dimensions on the turret



DATE/DATE
10/07/2023 05304200-R011

Subject to technical changes