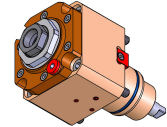
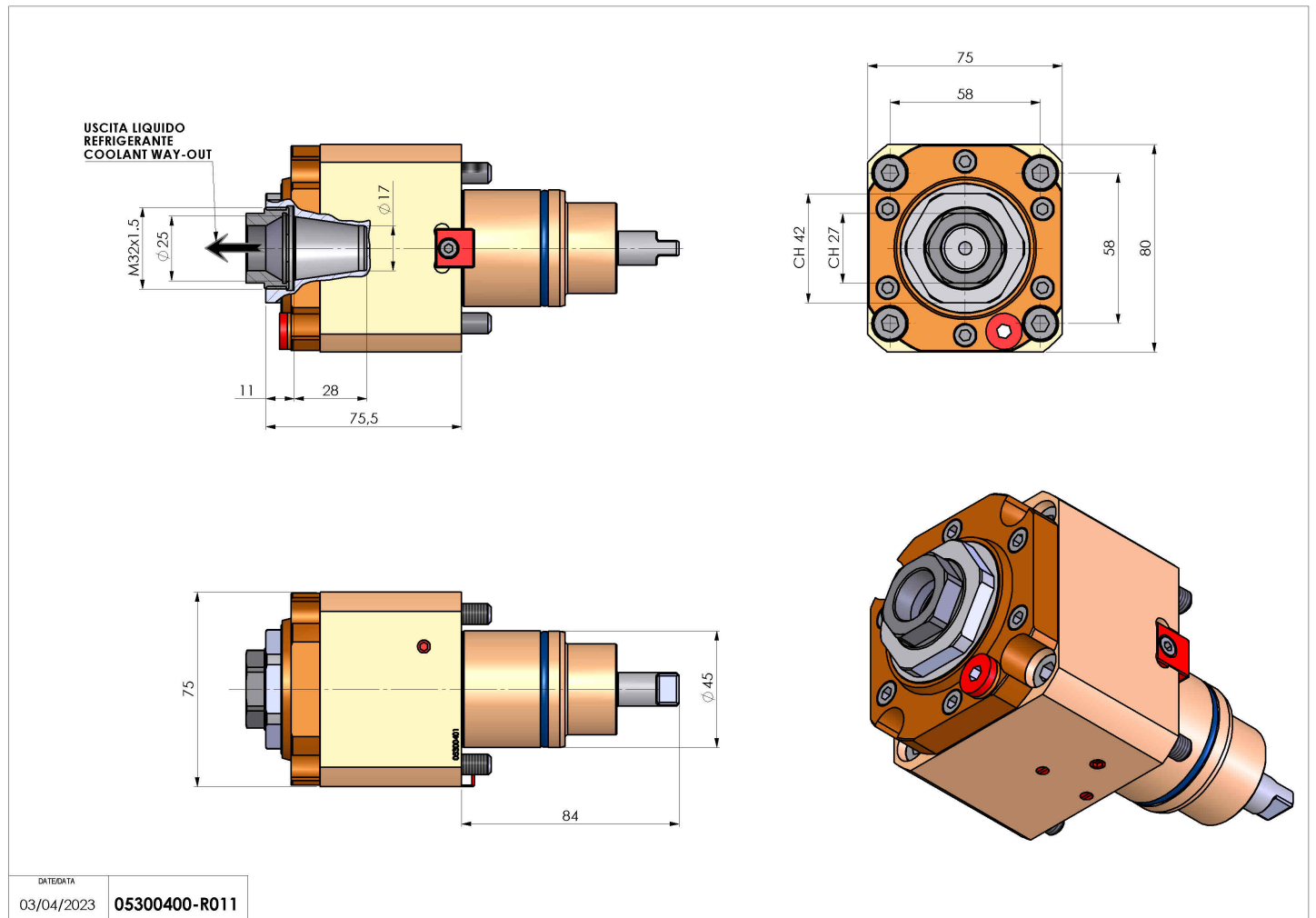


05300400 - LT-S BMT45 ER25F HRF H75.5

Type	LT-S Tool holder straight
Mounting	BMT 45
Tool output	Collet nut ER 25 F - internal nut
Coolant	HRF Internal coolant
Direction of rotation	r1 ↻ r2 ↻
Max speed [rpm]	6000
Max torque [Nm]	25
Ratio	1:1
H [mm]	75.5
Max pressure [bar]	70
Accessories	N.A.
Notes	N.A.
Mounting tips	N.A.



Always check live tool dimensions on the turret



DATE/DATE
03/04/2023 05300400-R011

Subject to technical changes