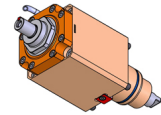
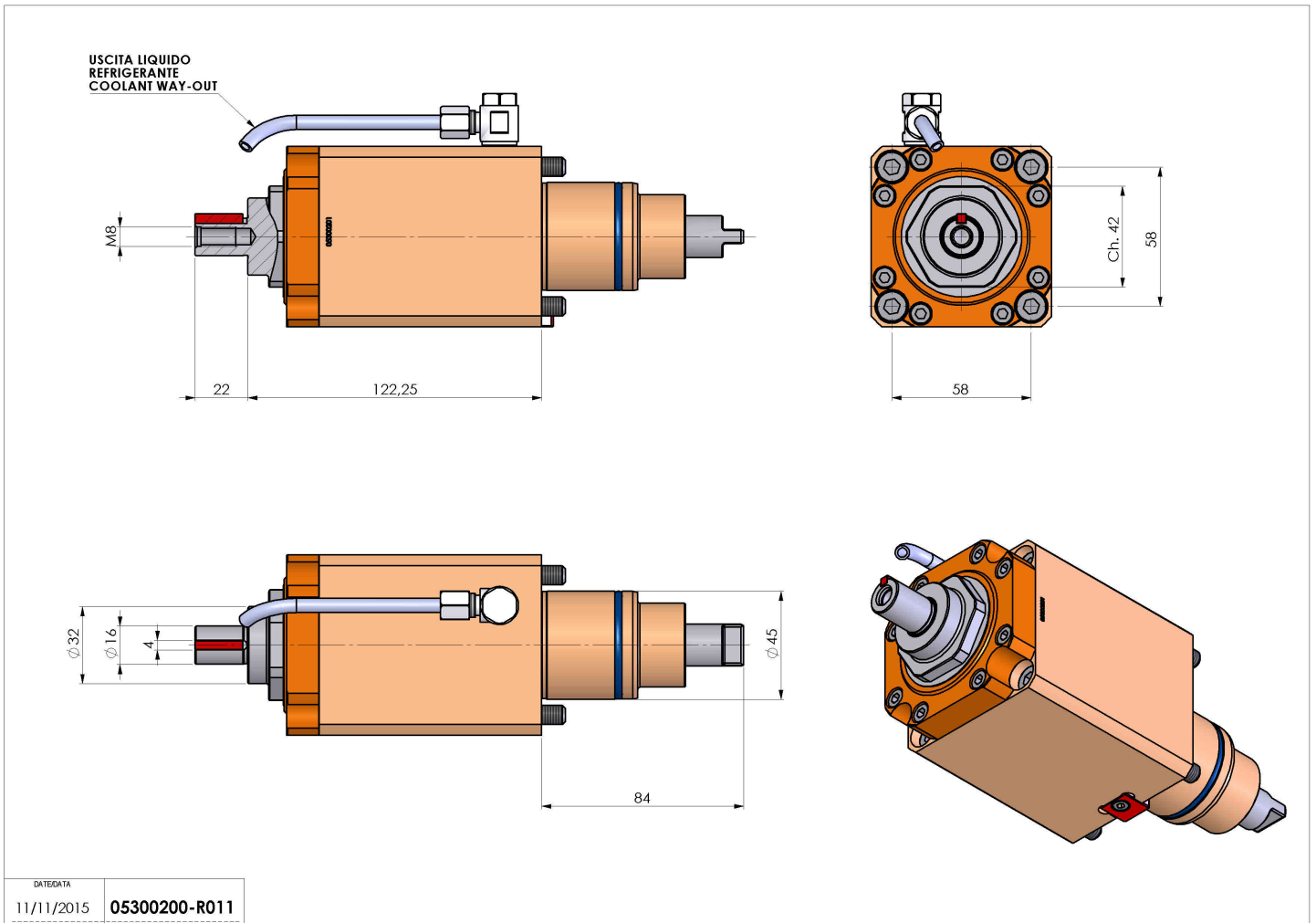


## 05300200 - LT-S BMT45 P-FR D16 H122.25

<b>Type</b>	LT-S Tool holder straight
<b>Mounting</b>	BMT 45
<b>Tool output</b>	Tool diameter 16
<b>Coolant</b>	External coolant
<b>Direction of rotation</b>	r1  r2
<b>Max speed [rpm]</b>	6000
<b>Max torque [Nm]</b>	25
<b>Ratio</b>	1:1
<b>H [mm]</b>	122,25
<b>Accessories</b>	
<b>Notes</b>	N.A.
<b>Mounting tips</b>	N.A.



Always check live tool dimensions on the turret



DATE/DATE	
11/11/2015	05300200-R011

Subject to technical changes