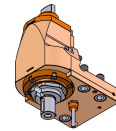
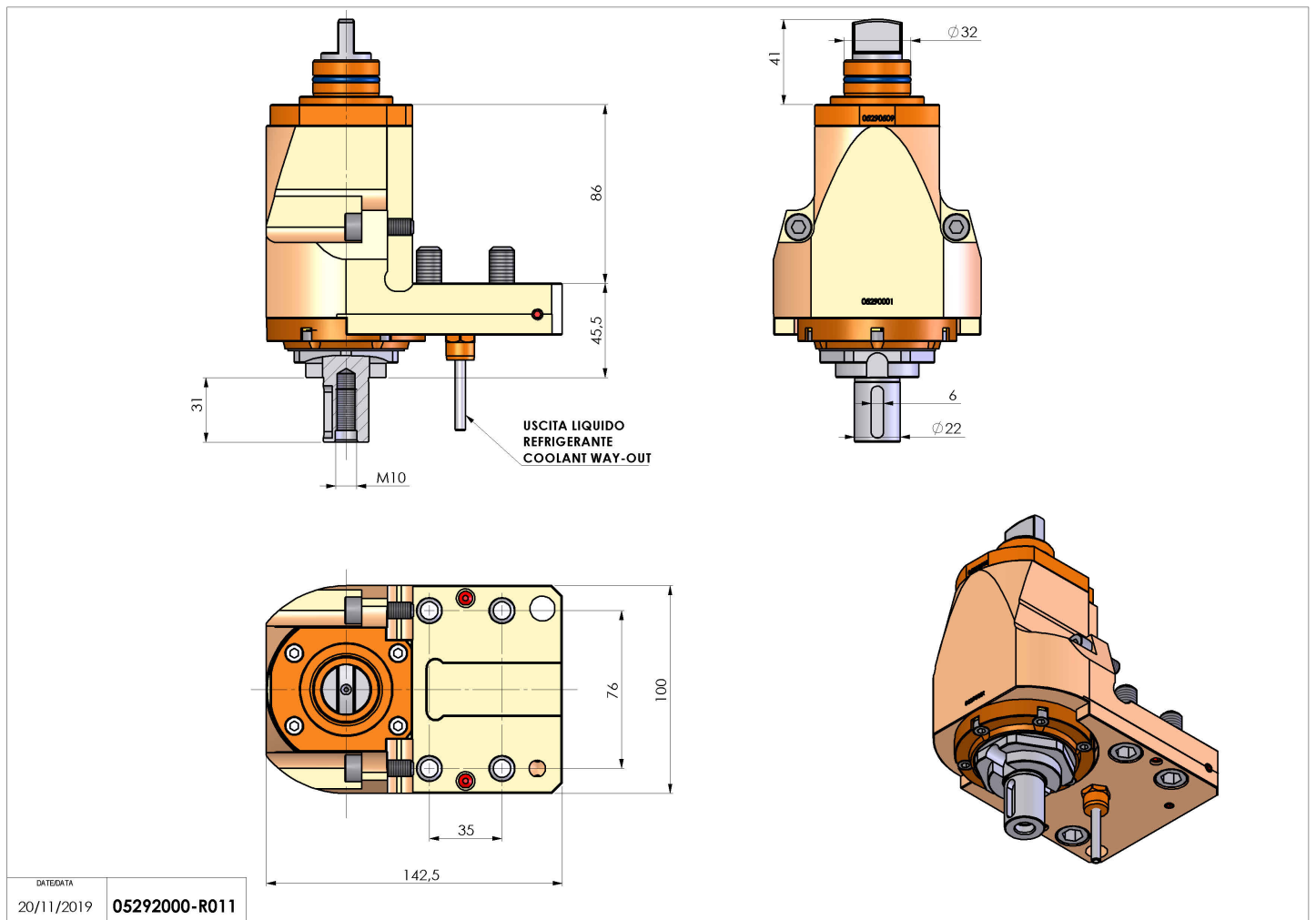


## 05292000 - LT-S D32 DIN138-22 HS H46

Type	LT-S Tool holder straight
Mounting	CYLINDRICAL SHANK 32
Tool output	Shell-Mill DIN138 22
Coolant	External coolant
Direction of rotation	r1 ↻ r2 ↻
Max speed [rpm]	12000
Max torque [Nm]	70
Ratio	1:1
H [mm]	46
Accessories	N.A.
Notes	N.A.
Mounting tips	N.A.



Always check live tool dimensions on the turret



Subject to technical changes