

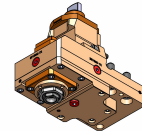
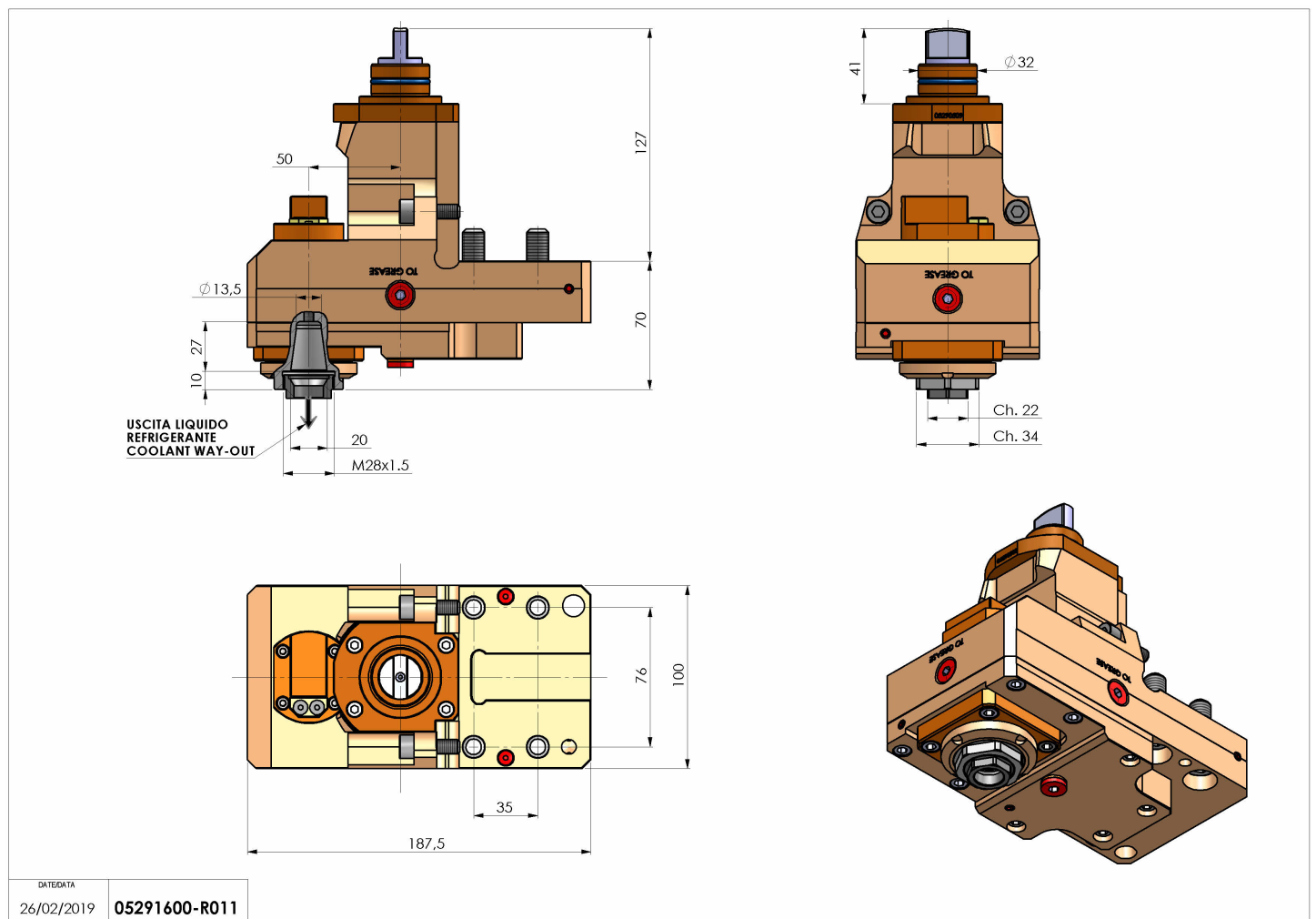


05291600 - LT-S D32 ER20F OFS50 HRF1:2H70

Type	LT-S OFS Tool holder straight offset
Mounting	CYLINDRICAL SHANK 32
Tool output	Collet nut ER 20 F - internal nut
Coolant	HRF Internal coolant
Offset [mm]	50
Direction of rotation	r1  r2 
Max speed [rpm]	in 6000 / out 12000
Max torque [Nm]	in 50 / out 25
Ratio	1:2
H [mm]	70
Max pressure [bar]	80
Accessories	N.A.
Notes	N.A.
Mounting tips	N.A.



Always check live tool dimensions on the turret



DATE/DATE: 26/02/2019
05291600-R011

Subject to technical changes