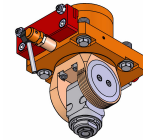
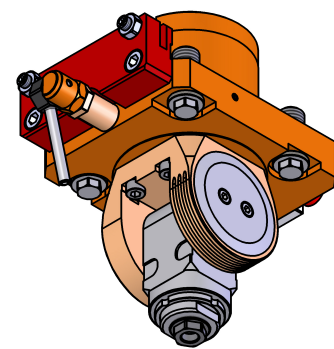
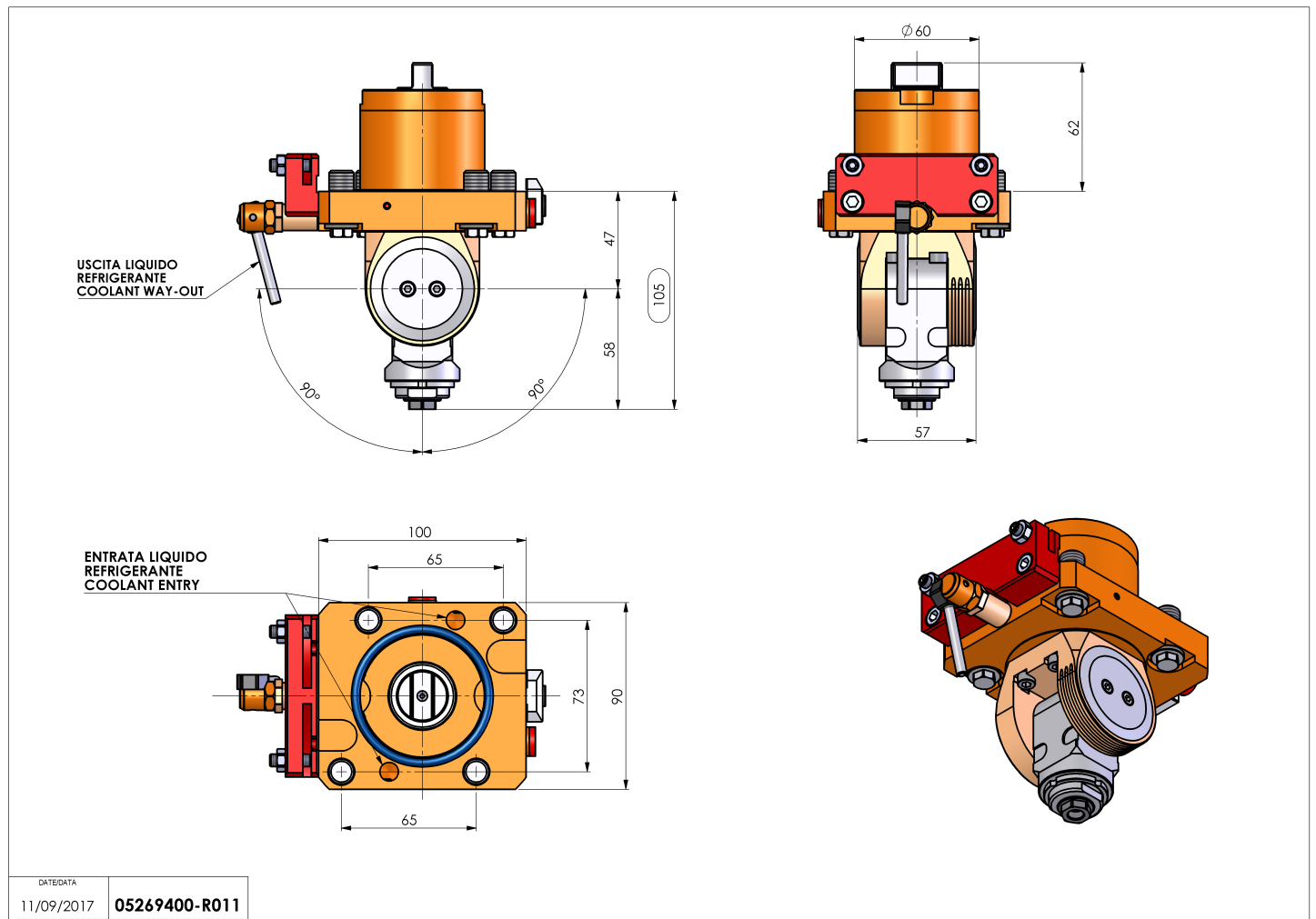


05269400 - LT-T D60 ER11F H47-105

Type	LT-T Tool holder tiltable
Mounting	CYLINDRICAL SHANK 60
Tool output	Collet nut ER 11 F
Coolant	External coolant
Direction of rotation	r1 r2
Max speed [rpm]	6000
Max torque [Nm]	5
Ratio	1:1
H [mm]	47-105
Accessories	N.A.
Notes	N.A.
Mounting tips	N.A.



Always check live tool dimensions on the turret



DATE/DATA	11/09/2017
PART NUMBER	05269400-R011

Subject to technical changes