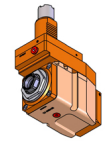


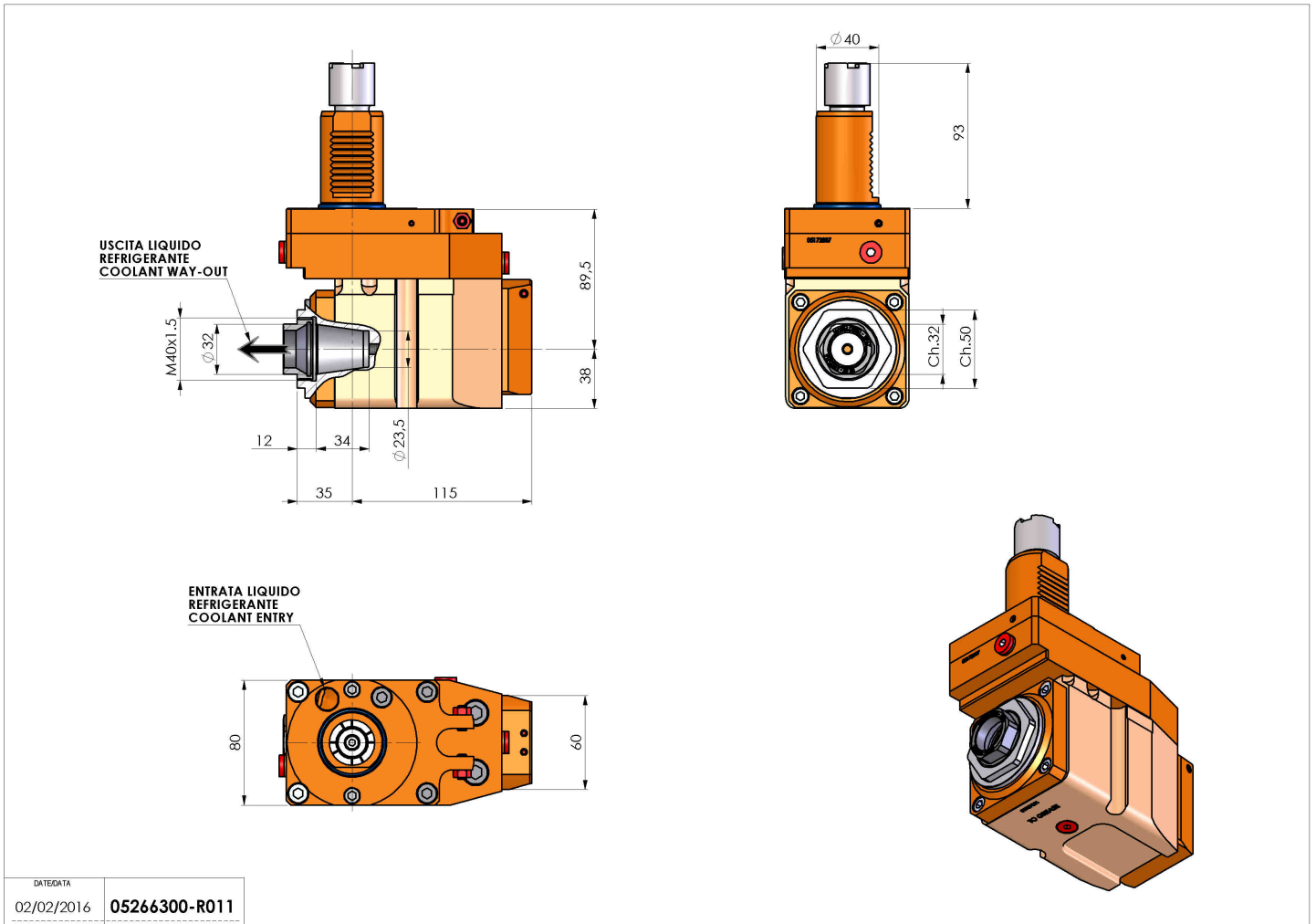
05266300 - LT-A VDI40 ER32F OF R RF H900K

| | |
|------------------------------|--|
| Type | LT-A OFS Tool holder offset angle 90° |
| Mounting | VDI 40 |
| Tool output | Collet nut ER 32 F - internal nut |
| Coolant | Internal coolant |
| Direction of rotation | r1 ↻ r2 ↻ |
| Max speed [rpm] | 6000 |
| Max torque [Nm] | 63 |
| Ratio | 1:1 |
| H [mm] | 90 |
| H1 [mm] | 38 |
| Max pressure [bar] | 20 |
| Accessories | N.A. |
| Notes | N.A. |
| Mounting tips | Verify VDI position betw. turret and live tool |



ATTENTION: CHECK THE ORIENTATION OF THE VDI TEETH

Always check live tool dimensions on the turret



| | |
|---------------|------------|
| DATE/DATE | 02/02/2016 |
| 05266300-R011 | |

Subject to technical changes