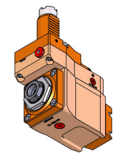


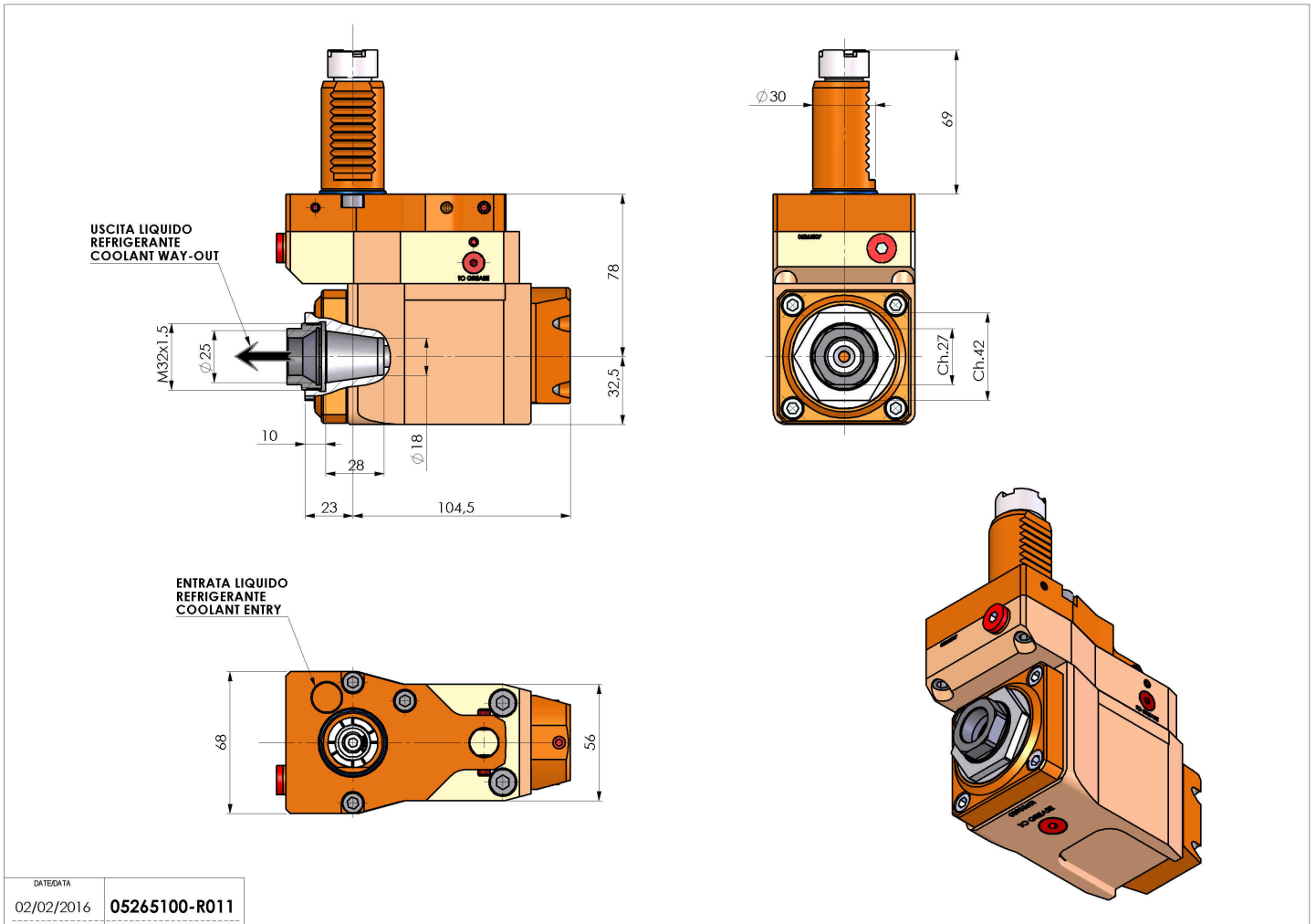
## 05265100 - LT-A VDI30 ER25F OF R RF H78OK

<b>Type</b>	LT-A OFS Tool holder offset angle 90°
<b>Mounting</b>	VDI 30
<b>Tool output</b>	Collet nut ER 25 F - internal nut
<b>Coolant</b>	Internal coolant
<b>Direction of rotation</b>	r1  r2
<b>Max speed [rpm]</b>	6000
<b>Max torque [Nm]</b>	25
<b>Ratio</b>	1:1
<b>H [mm]</b>	78
<b>H1 [mm]</b>	32,5
<b>Max pressure [bar]</b>	20
<b>Accessories</b>	N.A.
<b>Notes</b>	N.A.
<b>Mounting tips</b>	Verify VDI position betw. turret and live tool



**ATTENTION: CHECK THE ORIENTATION OF THE VDI TEETH**

Always check live tool dimensions on the turret



DATE/DATE	02/02/2016
PART NUMBER	05265100-R011

Subject to technical changes