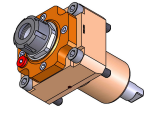
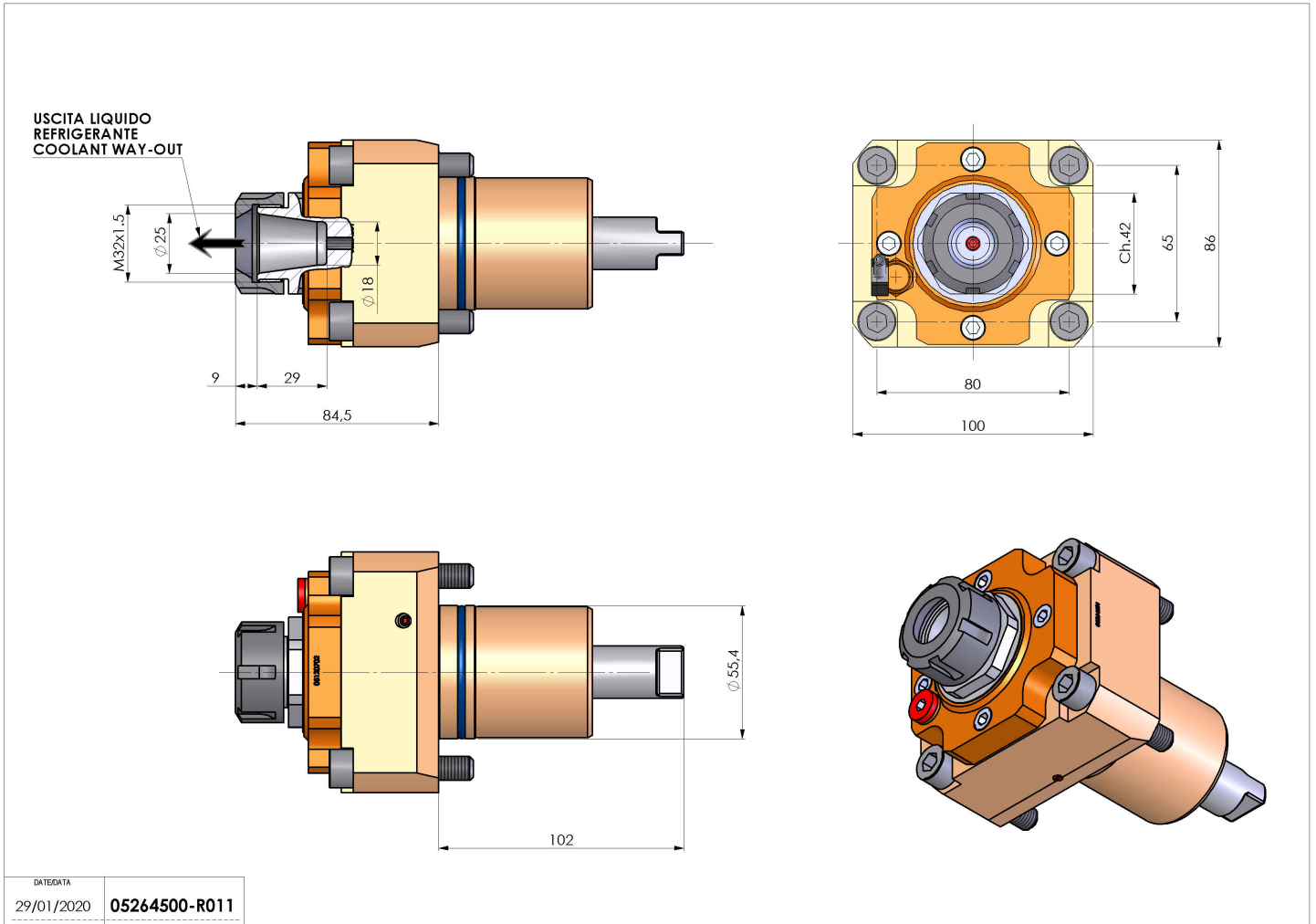


05264500 - LT-S D55,4 ER25 HRF HS H84

Type	LT-S Tool holder straight
Mounting	CYLINDRICAL SHANK 55,4
Tool output	Collet nut ER 25
Coolant	HRF Internal coolant
Direction of rotation	r1 r2
Max speed [rpm]	10000
Max torque [Nm]	40
Ratio	1:1
H [mm]	84
Max pressure [bar]	70
Accessories	N.A.
Notes	N.A.
Mounting tips	N.A.



Always check live tool dimensions on the turret



DATE/DATE	
29/01/2020	05264500-R011

Subject to technical changes