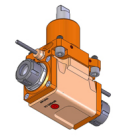
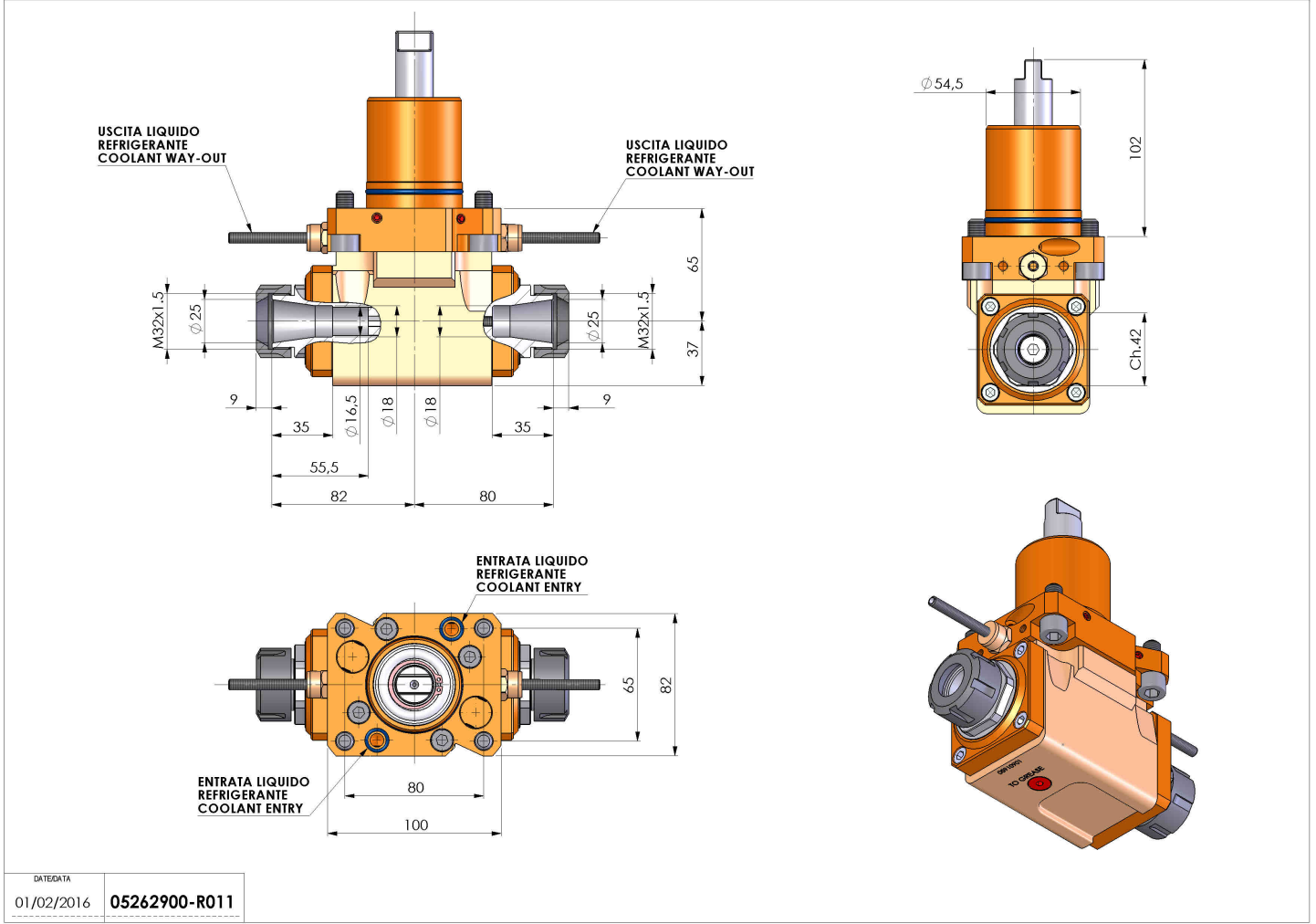


05262900 - LT-A D55.4 ER25-25 LR H65 OK

Type	LT-A DBL Tool holder double angle 90°
Mounting	CYLINDRICAL SHANK 55,4
Tool output	Collet nut ER 25
Coolant	External coolant
Direction of rotation	r1 r2 r3
Max speed [rpm]	6000
Max torque [Nm]	40
Ratio	1:1
H [mm]	65
H1 [mm]	37
Accessories	N.A.
Notes	N.A.
Mounting tips	N.A.



Always check live tool dimensions on the turret



DATE/DATE	01/02/2016	05262900-R011
-----------	------------	---------------

Subject to technical changes