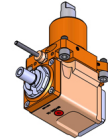
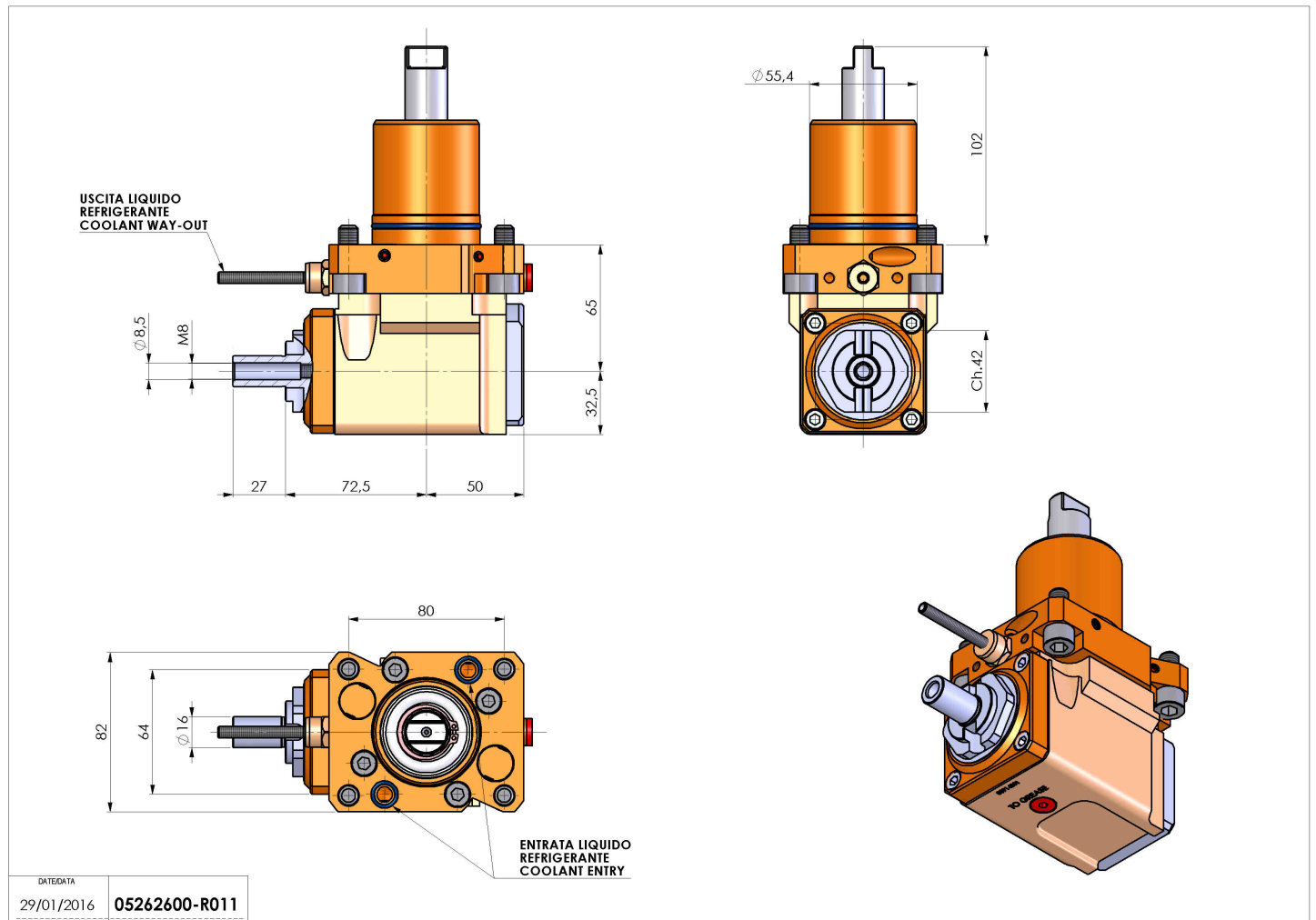


05262600 - LT-A D55.4 DIN138-16 LR H65 OK

Type	LT-A Tool holder angle 90°
Mounting	CYLINDRICAL SHANK 55,4
Tool output	Shell-Mill DIN138 16
Coolant	External coolant
Direction of rotation	r1 r2
Max speed [rpm]	6000
Max torque [Nm]	40
Ratio	1:1
H [mm]	65
H1 [mm]	32,5
Accessories	N.A.
Notes	N.A.
Mounting tips	N.A.



Always check live tool dimensions on the turret



DATE/DATE: 29/01/2016
05262600-R011

Subject to technical changes