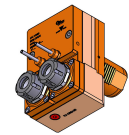


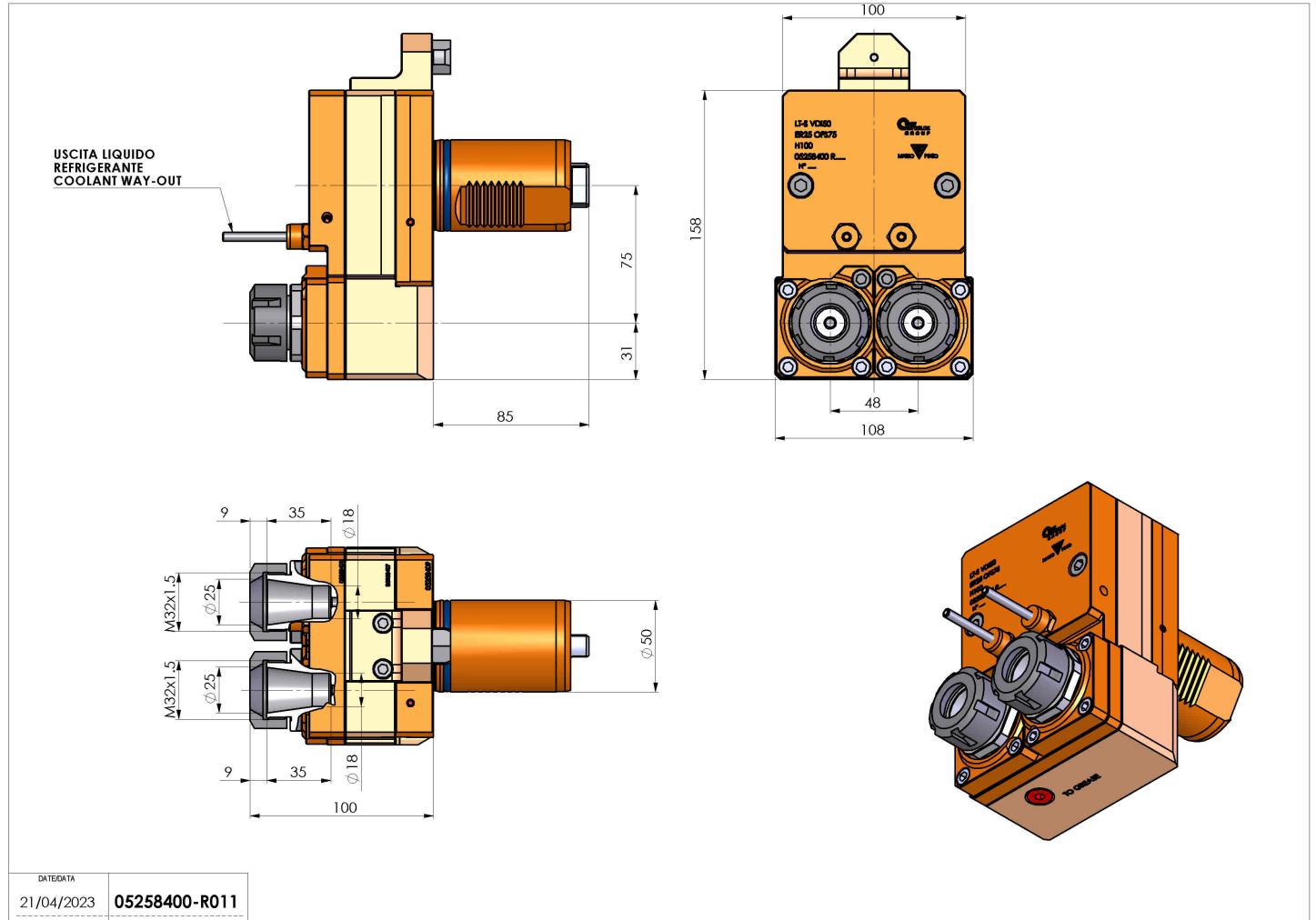
05258400 - LT-S2 VDI50 ER25 OFS-75 H100

Type	LT-S2 OFS Tool holder double straight offset
Mounting	VDI 50
Tool output	Collet nut ER 25
Coolant	External coolant
Offset [mm]	75
Direction of rotation	r1 r2 r3
Max speed [rpm]	6000
Max torque [Nm]	40
Ratio	1:1
H [mm]	100
Accessories	N.A.
Notes	N.A.
Mounting tips	N.A.



ATTENTION: CHECK THE ORIENTATION OF THE VDI TEETH

Always check live tool dimensions on the turret



DATE/GRA	21/04/2023
PART NUMBER	05258400-R011

Subject to technical changes