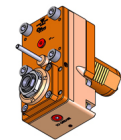


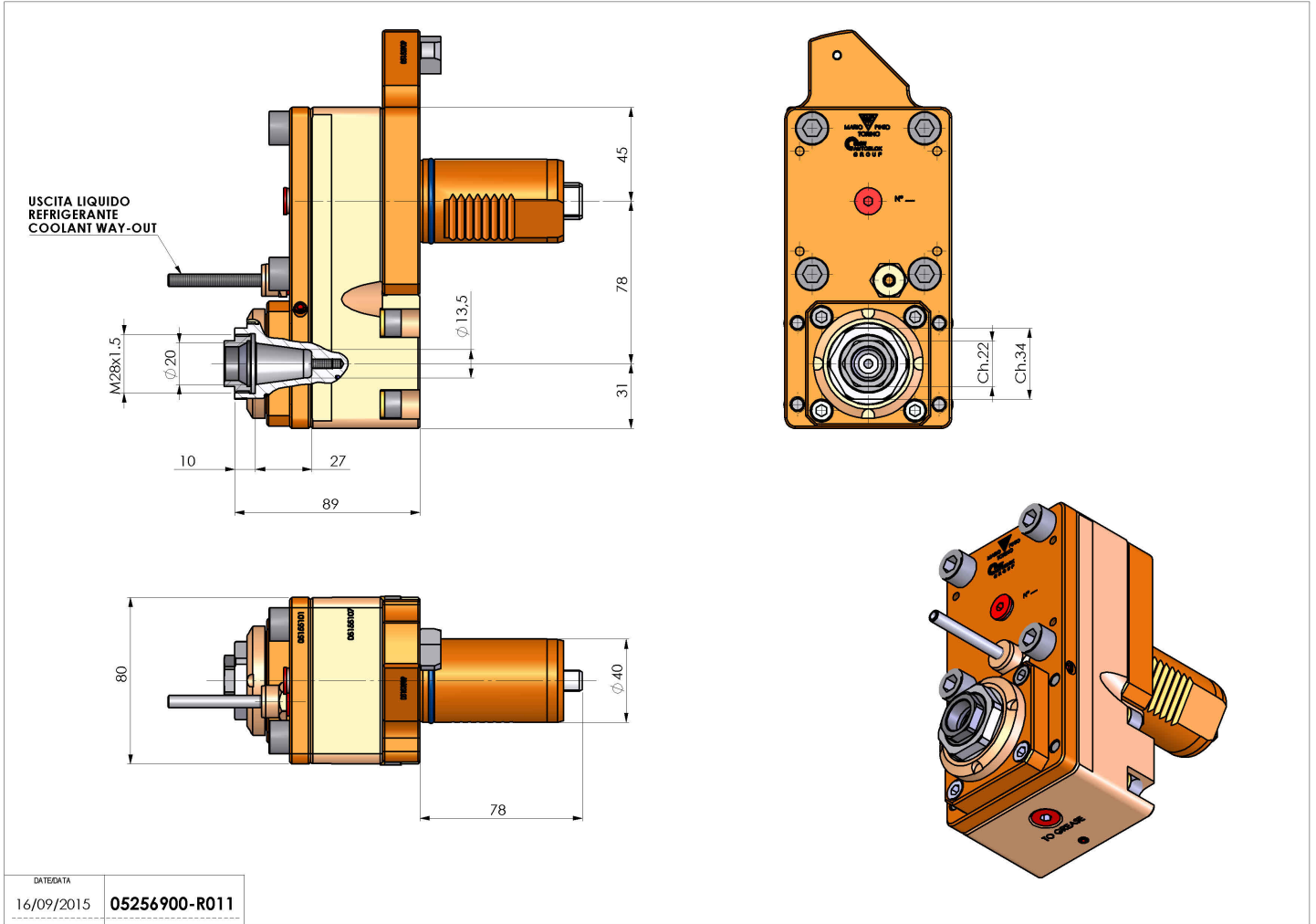
05256900 - LTS VDI40 ER20F OFS78 1:3H89MZ

| | |
|------------------------------|---|
| Type | LT-S OFS Tool holder straight offset |
| Mounting | VDI 40 |
| Tool output | Collet nut ER 20 F - internal nut |
| Coolant | External coolant |
| Offset [mm] | 78 |
| Direction of rotation | r1 ↻ r2 ↻ |
| Max speed [rpm] | in 5000 / out 15000 |
| Max torque [Nm] | in 50 / out 14 |
| Ratio | 1:3 |
| H [mm] | 89 |
| Accessories | N.A. |
| Notes | N.A. |
| Mounting tips | Main spindle only |



ATTENTION: CHECK THE ORIENTATION OF THE VDI TEETH

Always check live tool dimensions on the turret



| | |
|------------|---------------|
| DATE/DATE | 05256900-R011 |
| 16/09/2015 | |

Subject to technical changes