



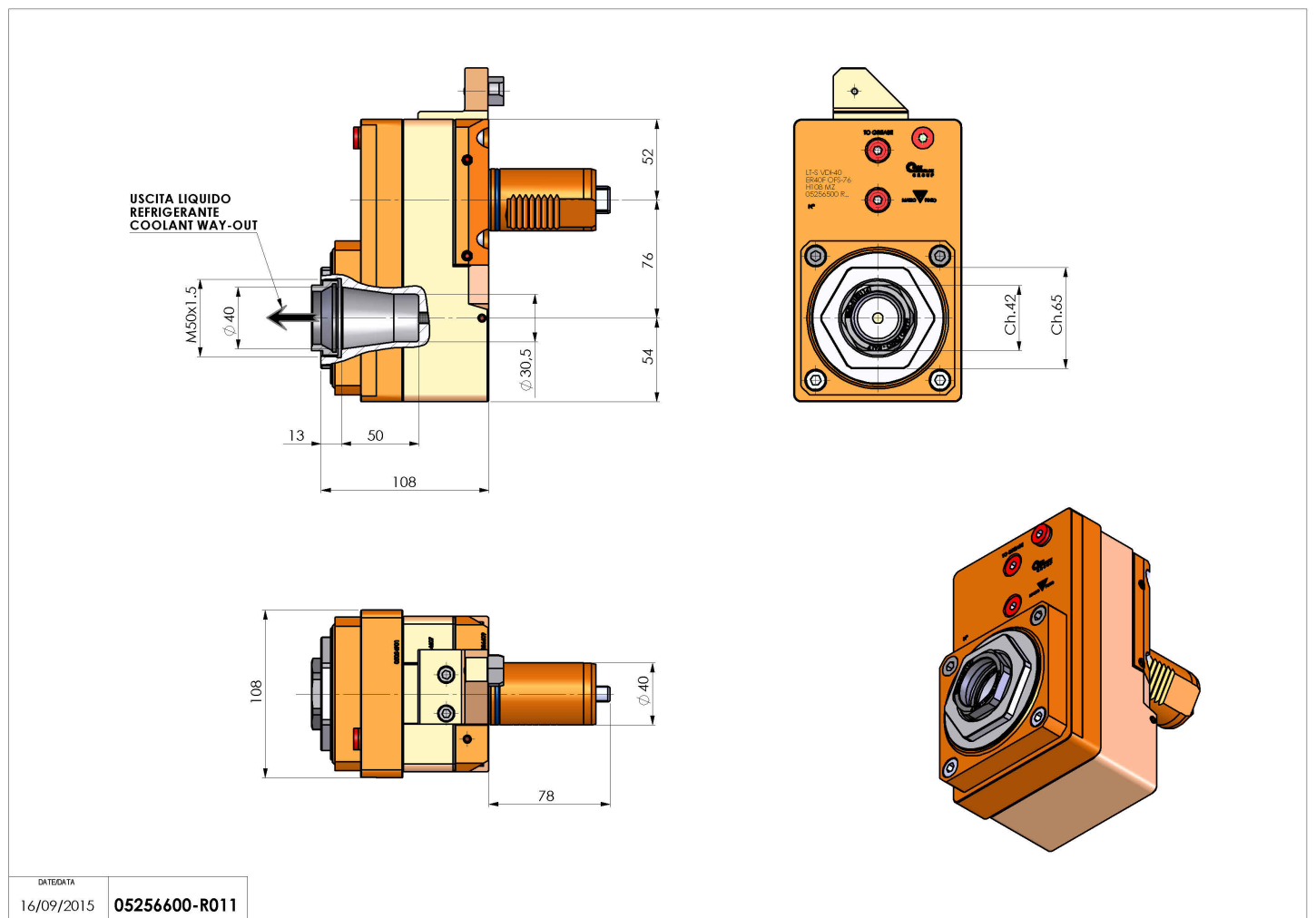
05256600 - LT-S VDI40 ER40F OFS76RFH108MZ

| | |
|-----------------------|---|
| Type | LT-S OFS Tool holder straight offset |
| Mounting | VDI 40 |
| Tool output | Collet nut ER 40 F - internal nut |
| Coolant | Internal coolant |
| Offset [mm] | 76 |
| Direction of rotation | r1  r2  |
| Max speed [rpm] | 4000 |
| Max torque [Nm] | 180 |
| Ratio | 1:1 |
| H [mm] | 108 |
| Max pressure [bar] | 20 |
| Accessories | N.A. |
| Notes | N.A. |
| Mounting tips | Main spindle only |



ATTENTION: CHECK THE ORIENTATION OF THE VDI TEETH

Always check live tool dimensions on the turret



| | | |
|-----------|------------|---------------|
| DATE/DATE | 16/09/2015 | 05256600-R011 |
|-----------|------------|---------------|

Subject to technical changes