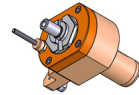


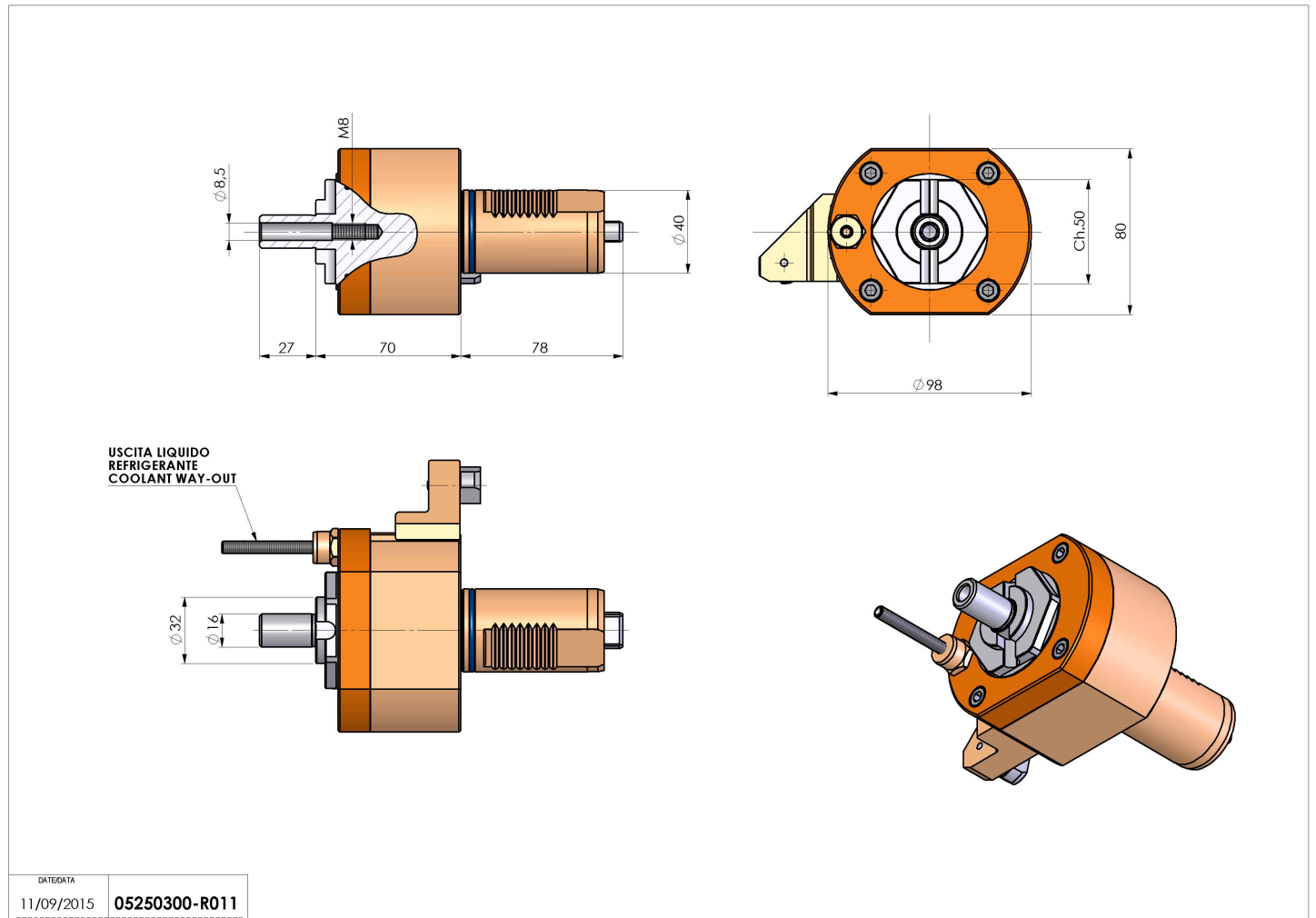
05250300 - LT-S VDI40 DIN138-16 H70 MZ

| | |
|------------------------------|---|
| Type | LT-S Tool holder straight |
| Mounting | VDI 40 |
| Tool output | Shell-Mill DIN138 16 |
| Coolant | External coolant |
| Direction of rotation | r1  r2  |
| Max speed [rpm] | 6000 |
| Max torque [Nm] | 63 |
| Ratio | 1:1 |
| H [mm] | 70 |
| Accessories | |
| Notes | N.A. |
| Mounting tips | N.A. |



ATTENTION: CHECK THE ORIENTATION OF THE VDI TEETH

Always check live tool dimensions on the turret



DATE/DATE
11/09/2015 05250300-R011

Subject to technical changes