

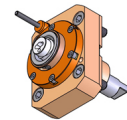
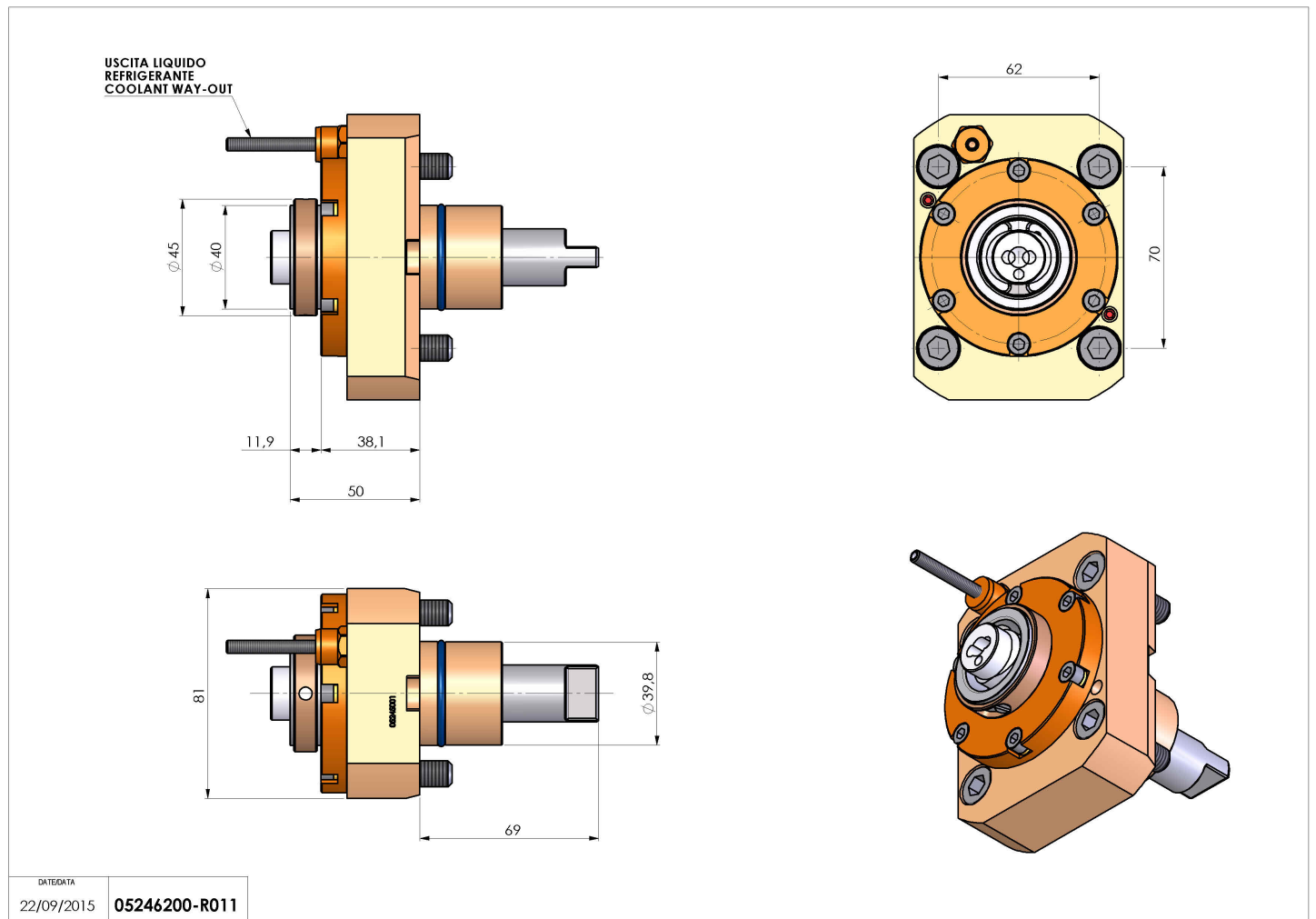


05246200 - LT-S D40 HSK40 HS H50

| | |
|------------------------------|---------------------------------------------------------------------------------------------------------------------------------------------------------------------------|
| Type | LT-S Tool holder straight |
| Mounting | CYLINDRICAL SHANK 40 |
| Tool output | Quick Change HSK40 |
| Coolant | External coolant |
| Direction of rotation | r1  r2  |
| Max speed [rpm] | 12000 |
| Max torque [Nm] | 40 |
| Ratio | 1:1 |
| H [mm] | 50 |
| Accessories | |
| Notes | N.A. |
| Mounting tips | N.A. |



Always check live tool dimensions on the turret



Subject to technical changes