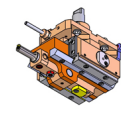
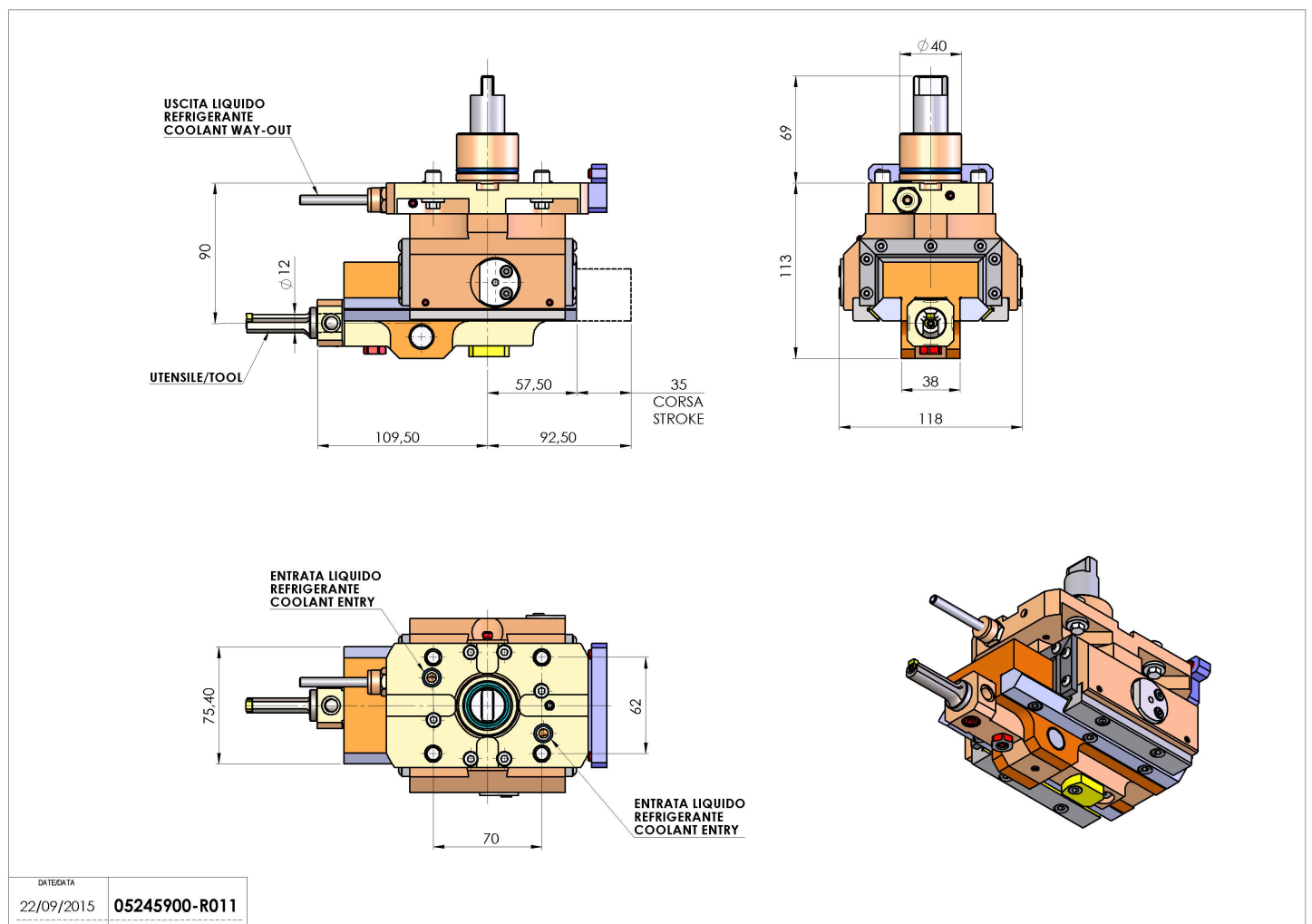


# 05245900 - LT-A ST35 D40 C12 H90 MS

<b>Type</b>	LT-A ST Slotting tool 90°
<b>Mounting</b>	CYLINDRICAL SHANK 40
<b>Tool output</b>	Tool diameter 12
<b>Coolant</b>	External coolant
<b>Max speed [rpm]</b>	700
<b>Max torque [Nm]</b>	17,5
<b>Ratio</b>	1:1
<b>Y axis adjustment</b>	NO
<b>Feed pushing [N]</b>	1000
<b>Stroke [mm]</b>	35
<b>Work stroke [mm]</b>	30
<b>H [mm]</b>	90
<b>Accessories</b>	N.A.
<b>Notes</b>	N.A.
<b>Mounting tips</b>	N.A.



Always check live tool dimensions on the turret



DATE/DATE	22/09/2015	05245900-R011
-----------	------------	---------------

Subject to technical changes