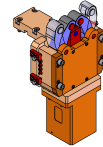
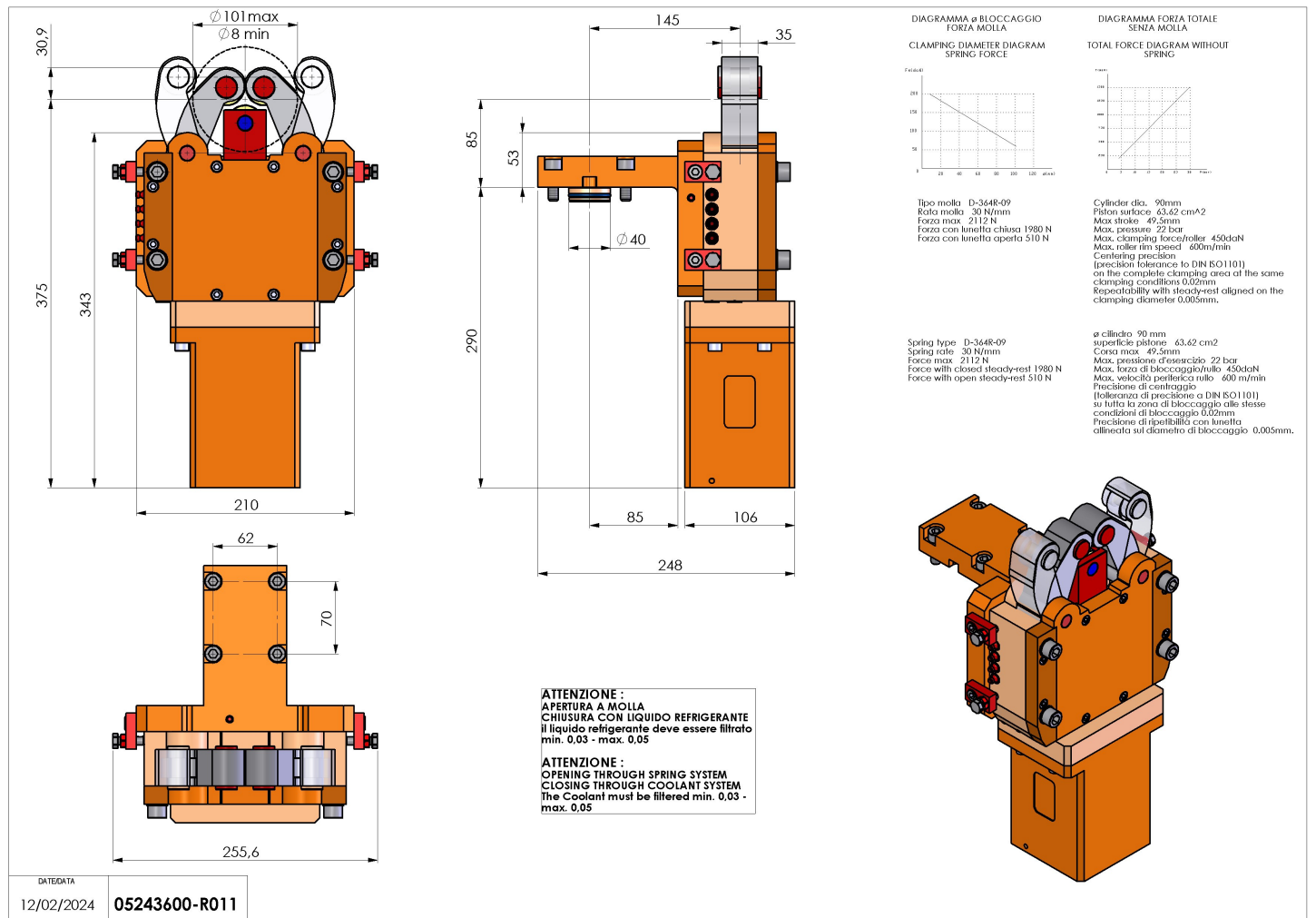


# 05243600 - LUNETTA H85 D40 SLU-X-2

Type	STEADY REST Self-centering steady rest for turret
Mounting	CYLINDRICAL SHANK 40
Tool output	Gripping jaws Ø8-Ø100
Coolant	N.A.
H [mm]	85
Ø Min [mm]	8
Ø Max [mm]	101
Max pressure [bar]	22
Accessories	N.A.
Notes	N.A.
Mounting tips	Lower turret



Always check live tool dimensions on the turret



Subject to technical changes