

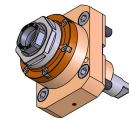
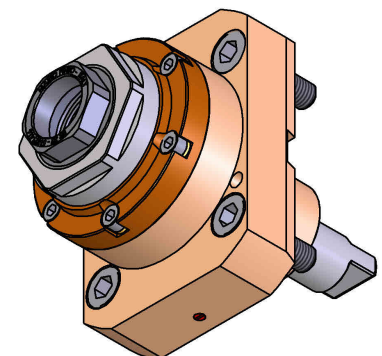
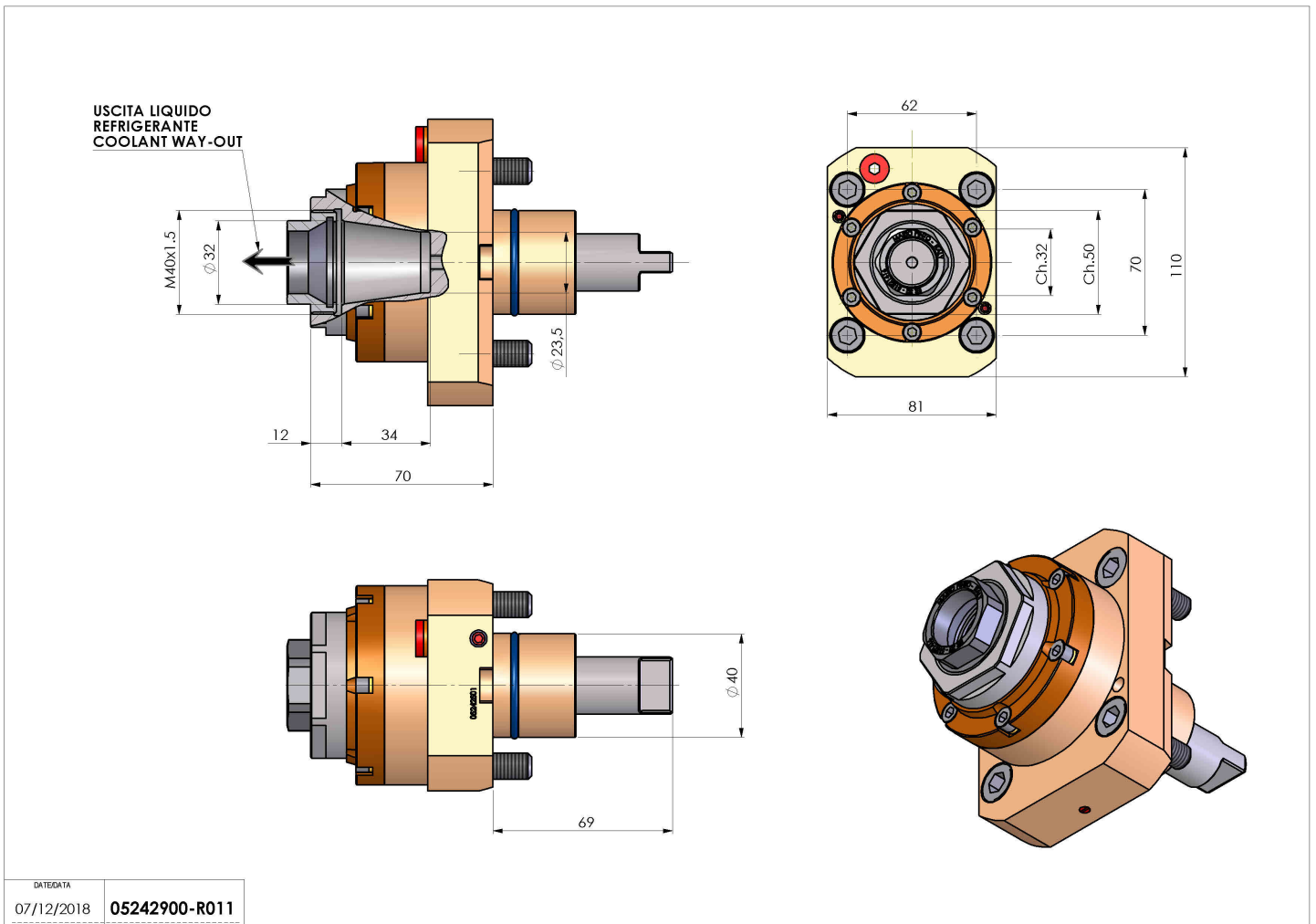


05242900 - LT-S D40 ER32F RF HS H70

Type	LT-S Tool holder straight
Mounting	CYLINDRICAL SHANK 40
Tool output	Collet nut ER 32 F - internal nut
Coolant	Internal coolant
Direction of rotation	r1  r2 
Max speed [rpm]	12000
Max torque [Nm]	40
Ratio	1:1
H [mm]	70
Max pressure [bar]	20
Accessories	N.A.
Notes	N.A.
Mounting tips	N.A.



Always check live tool dimensions on the turret



Subject to technical changes

DATE/DATE	07/12/2018	05242900-R011
-----------	------------	---------------