

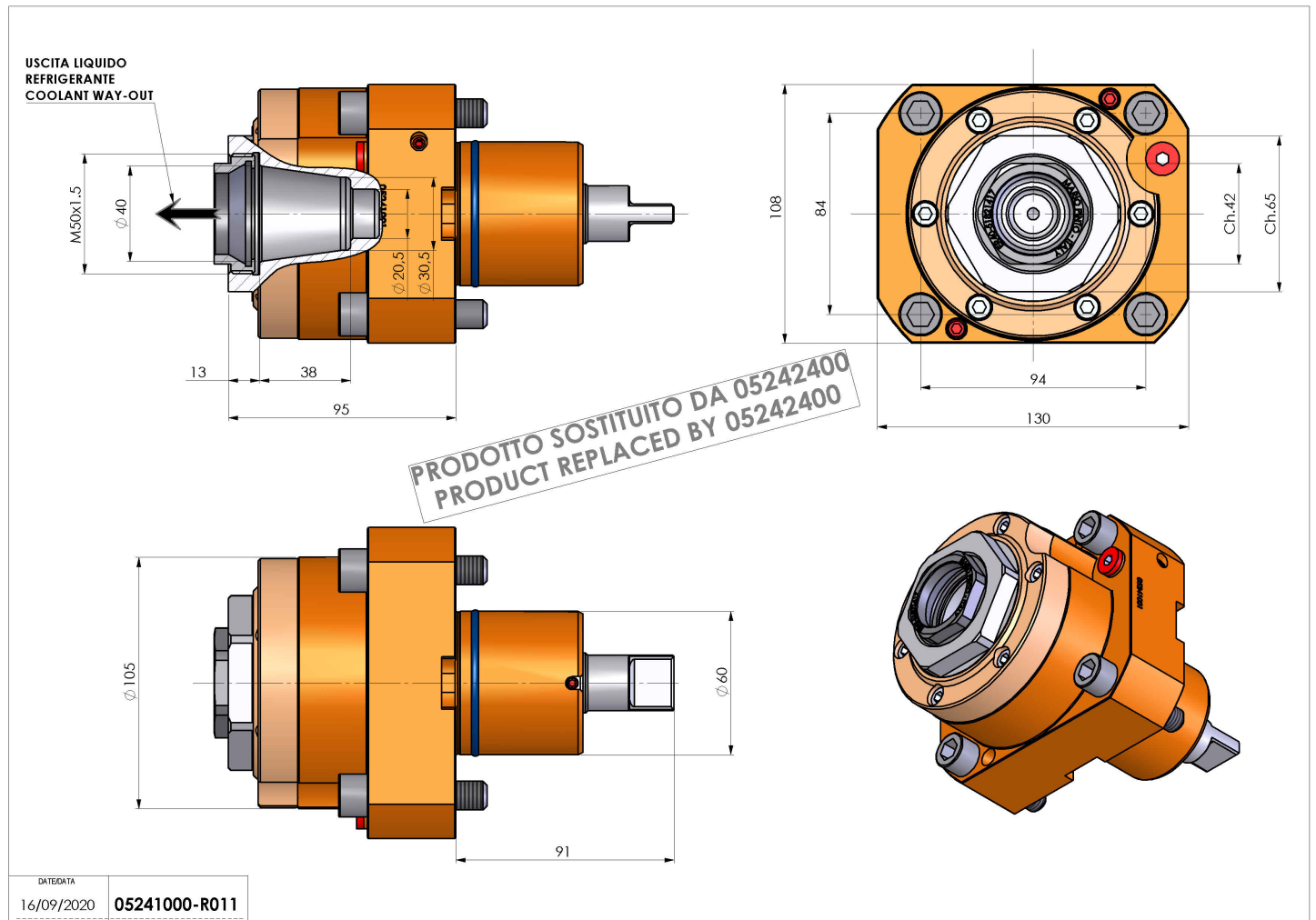
05241000 - LT-S D60 ER40F HRFHS H95

Type	LT-S Tool holder straight
Mounting	CYLINDRICAL SHANK 60
Tool output	Collet nut ER 40 F - internal nut
Coolant	HRF Internal coolant
Direction of rotation	r1 r2
Max speed [rpm]	10000
Max torque [Nm]	63
Ratio	1:1
H [mm]	95
Max pressure [bar]	70
Accessories	N.A.
Notes	Soon out of stock. Replaced by cod. 05242400
Mounting tips	N.A.



REPLACED BY 05242400

Always check live tool dimensions on the turret



Subject to technical changes