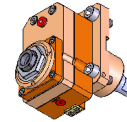
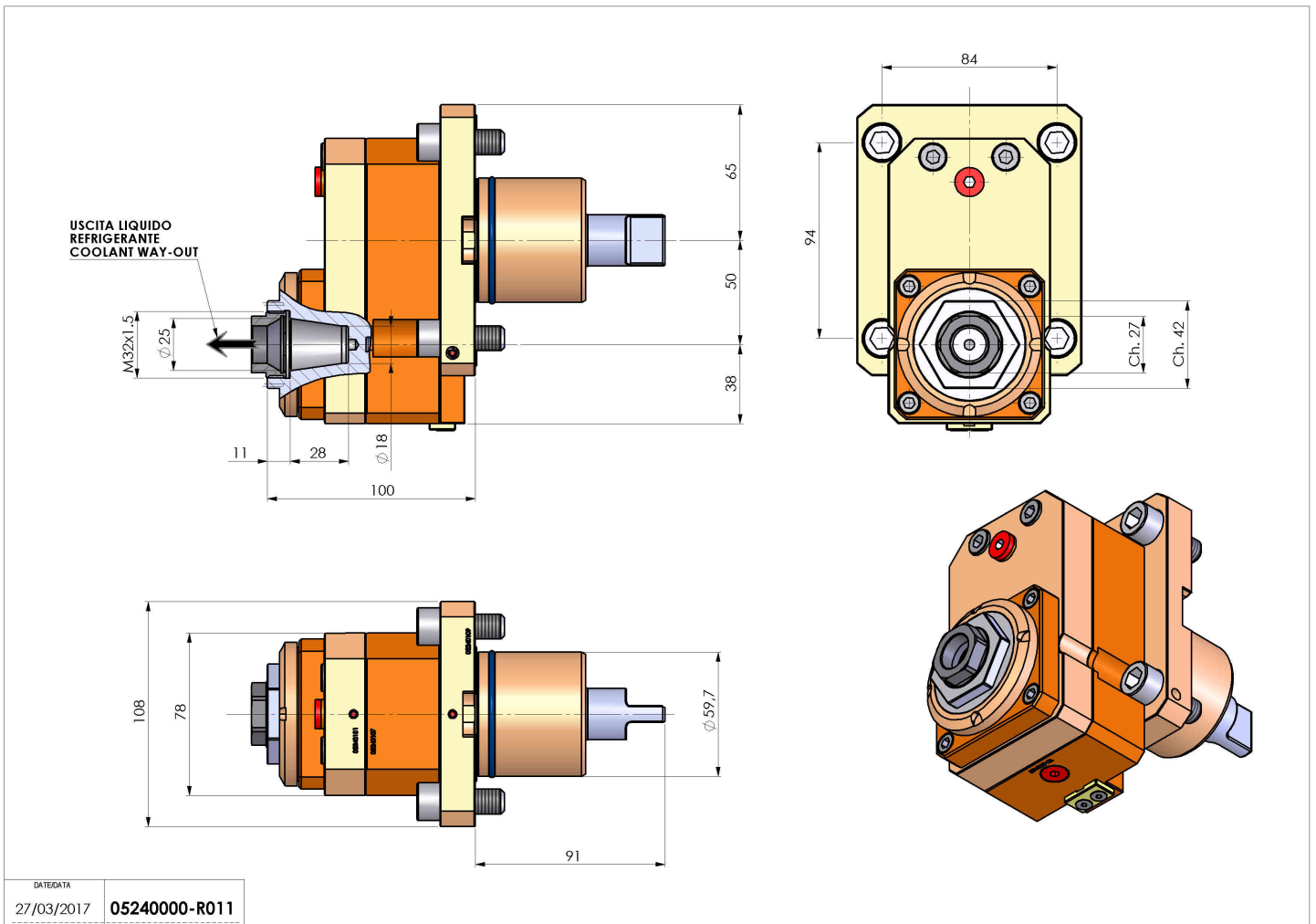


05240000 - LT-S D60ER25F OF50 HRF HS H100

Type	LT-S OFS Tool holder straight offset
Mounting	CYLINDRICAL SHANK 60
Tool output	Collet nut ER 25 F - internal nut
Coolant	HRF Internal coolant
Offset [mm]	50
Direction of rotation	r1 r2
Max speed [rpm]	10000
Max torque [Nm]	63
Ratio	1:1
H [mm]	100
Max pressure [bar]	80
Accessories	N.A.
Notes	N.A.
Mounting tips	N.A.



Always check live tool dimensions on the turret



DATE/DATE: 27/03/2017 05240000-R011

Subject to technical changes