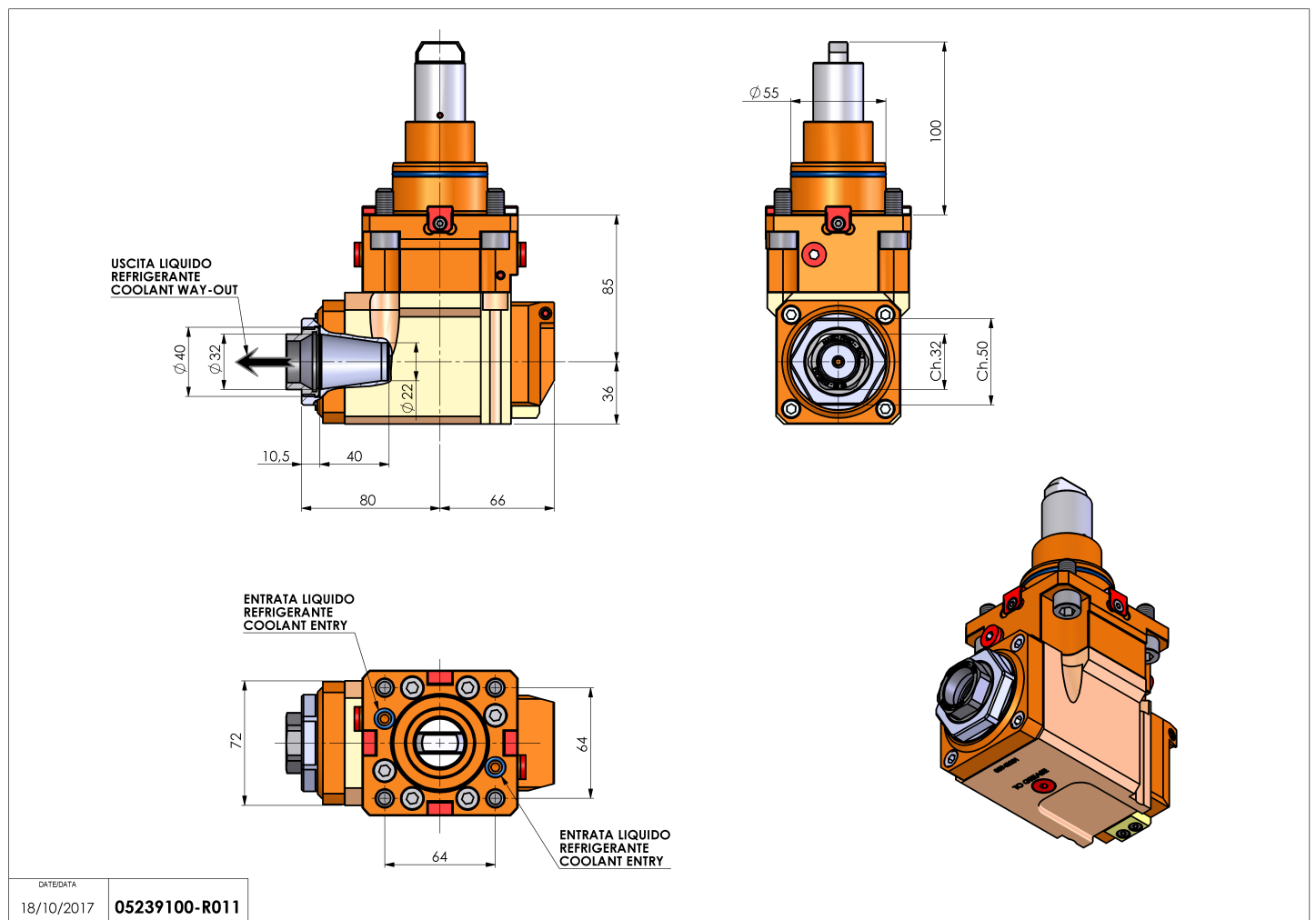


05239100 - LT-A BMT55EM4 ER32F LR HRF H85

Type	LT-A Tool holder angle 90°
Mounting	BMT 55 EM
Tool output	Collet nut ER 32 F - internal nut
Coolant	HRF Internal coolant
Direction of rotation	r1 ↻ r2 ↻
Max speed [rpm]	6000
Max torque [Nm]	60
Ratio	1:1
H [mm]	85
H1 [mm]	36
Max pressure [bar]	80
Accessories	N.A.
Notes	N.A.
Mounting tips	N.A.



Always check live tool dimensions on the turret



DATE DATA
18/10/2017 05239100-R011

Subject to technical changes