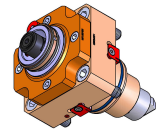
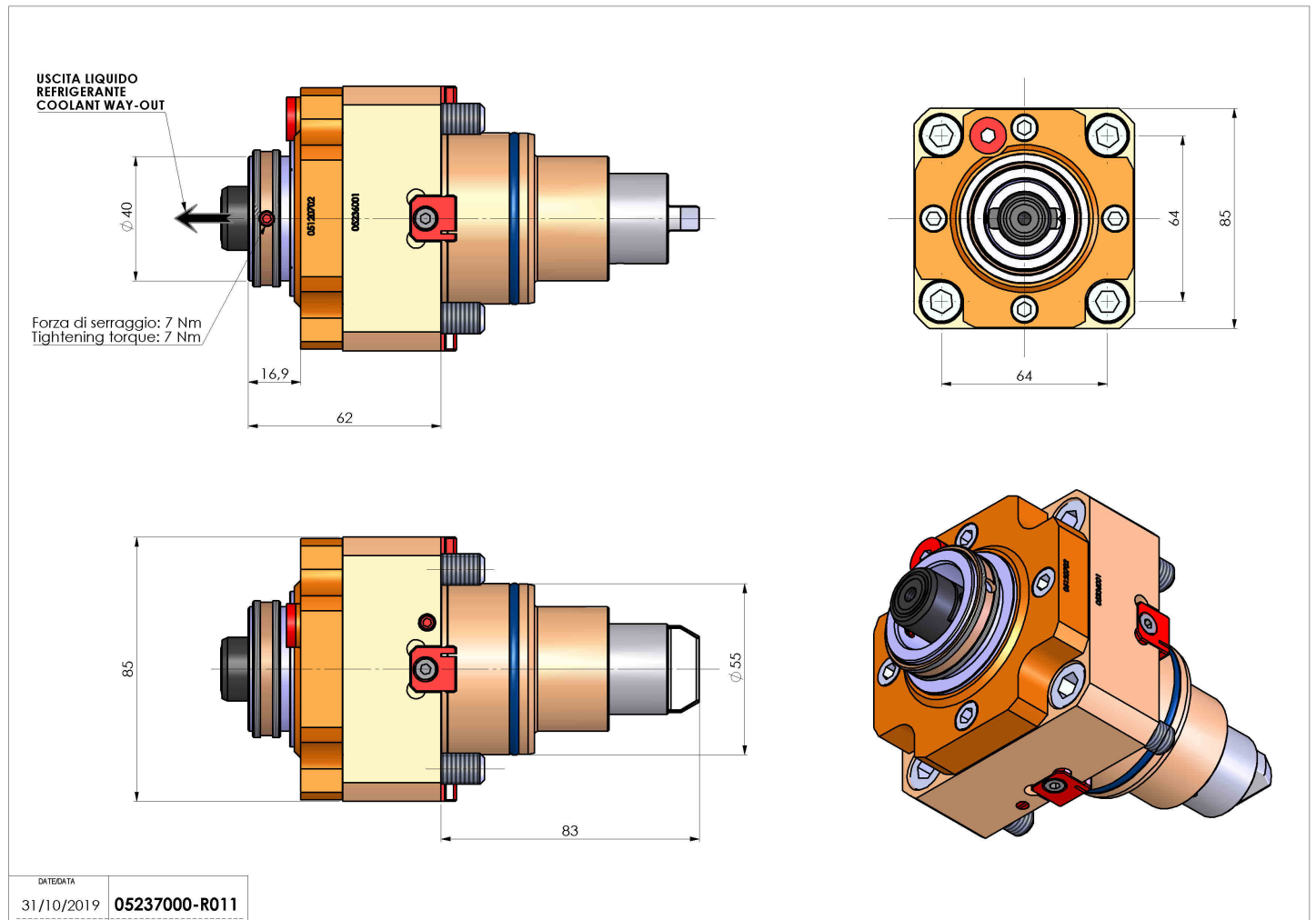


05237000 - LT-S BMT55EM HSK40 RF H62

Type	LT-S Tool holder straight
Mounting	BMT 55 EM
Tool output	Quick Change HSK40
Coolant	Internal coolant
Direction of rotation	r1 r2
Max speed [rpm]	6000
Max torque [Nm]	60
Ratio	1:1
H [mm]	62
Max pressure [bar]	20
Accessories	N.A.
Notes	N.A.
Mounting tips	N.A.



Always check live tool dimensions on the turret



DATE/DATE	31/10/2019
PART NUMBER	05237000-R011

Subject to technical changes