
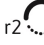
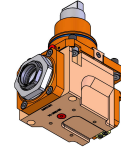
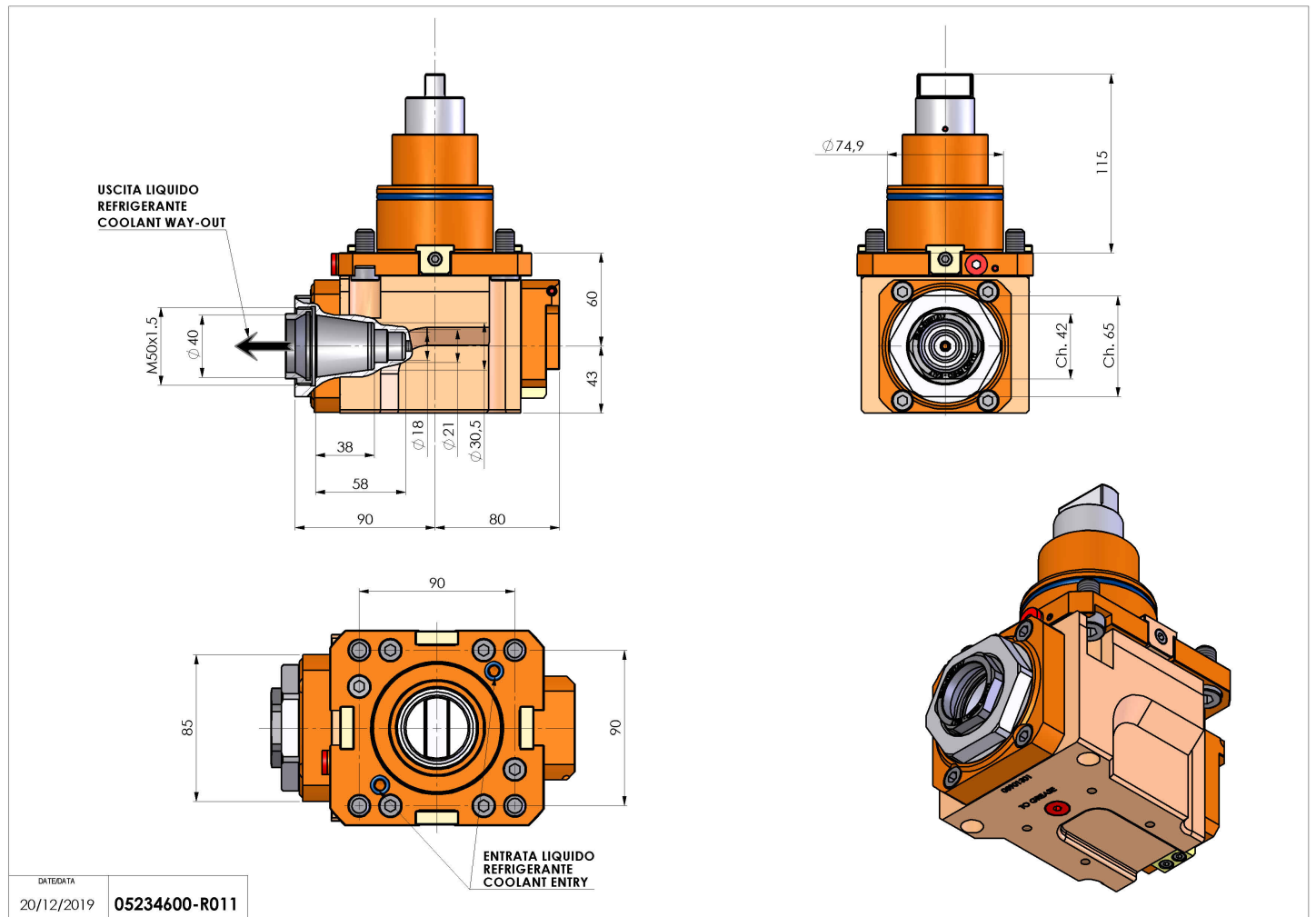


05234600 - LT-A BMT75EM ER40F LR HRF H60

Type	LT-A Tool holder angle 90°
Mounting	BMT 75 EM
Tool output	Collet nut ER 40 F - internal nut
Coolant	HRF Internal coolant
Direction of rotation	r1  r2 
Max speed [rpm]	6000
Max torque [Nm]	100
Ratio	1:1
H [mm]	60
H1 [mm]	43
Max pressure [bar]	80
Accessories	N.A.
Notes	N.A.
Mounting tips	N.A.



Always check live tool dimensions on the turret



Subject to technical changes

DATE/DATE
20/12/2019 05234600-R011