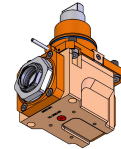
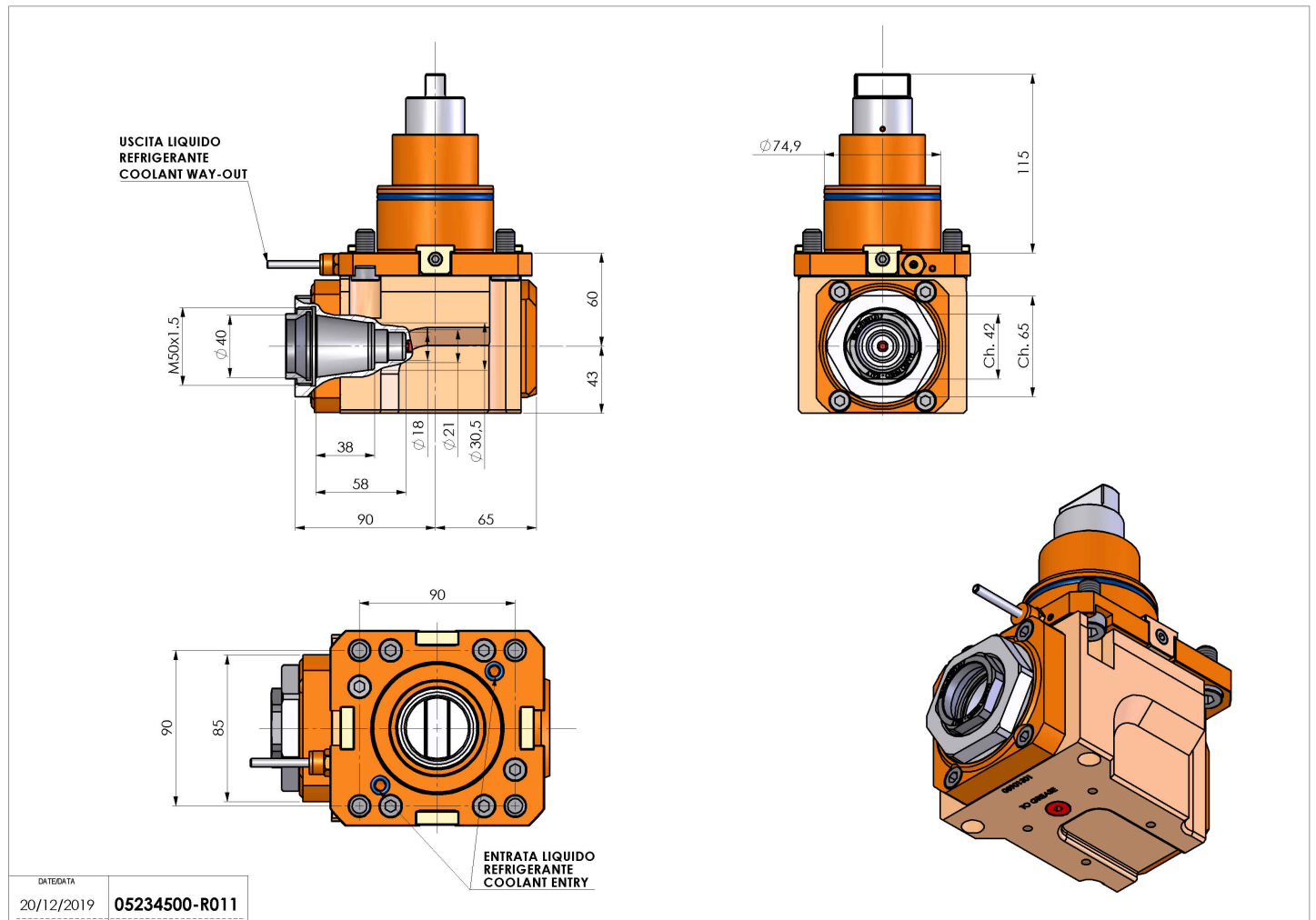


# 05234500 - LT-A BMT75EM ER40F LR H60

|                              |                                   |
|------------------------------|-----------------------------------|
| <b>Type</b>                  | LT-A<br>Tool holder angle 90°     |
| <b>Mounting</b>              | BMT 75 EM                         |
| <b>Tool output</b>           | Collet nut ER 40 F - internal nut |
| <b>Coolant</b>               | External coolant                  |
| <b>Direction of rotation</b> | r1 ↻ r2 ↻                         |
| <b>Max speed [rpm]</b>       | 6000                              |
| <b>Max torque [Nm]</b>       | 100                               |
| <b>Ratio</b>                 | 1:1                               |
| <b>H [mm]</b>                | 60                                |
| <b>H1 [mm]</b>               | 43                                |
| <b>Accessories</b>           | N.A.                              |
| <b>Notes</b>                 | N.A.                              |
| <b>Mounting tips</b>         | N.A.                              |



Always check live tool dimensions on the turret



Subject to technical changes

DATE DATA  
20/12/2019 05234500-R011