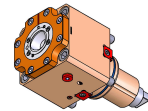
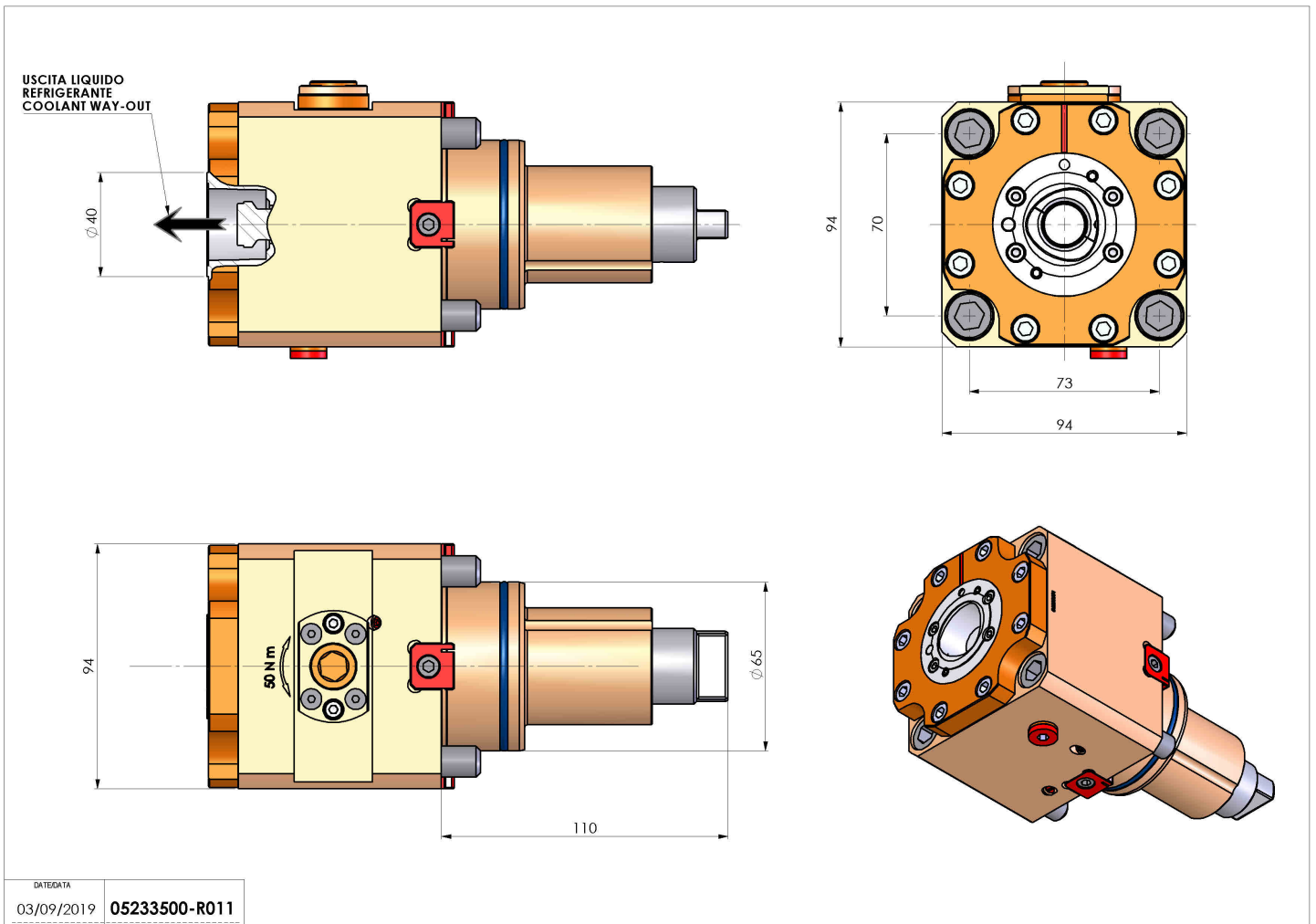


05233500 - LT-S BMT65EM C40 RF H90

Type	LT-S Tool holder straight
Mounting	BMT 65 EM
Tool output	Polygonal shank C40 ISO 26623-1
Coolant	Internal coolant
Direction of rotation	r1 r2
Max speed [rpm]	6000
Max torque [Nm]	70
Ratio	1:1
H [mm]	90
Max pressure [bar]	20
Accessories	N.A.
Notes	N.A.
Mounting tips	N.A.



Always check live tool dimensions on the turret



DATE/DATE	03/09/2019
PART NUMBER	05233500-R011

Subject to technical changes